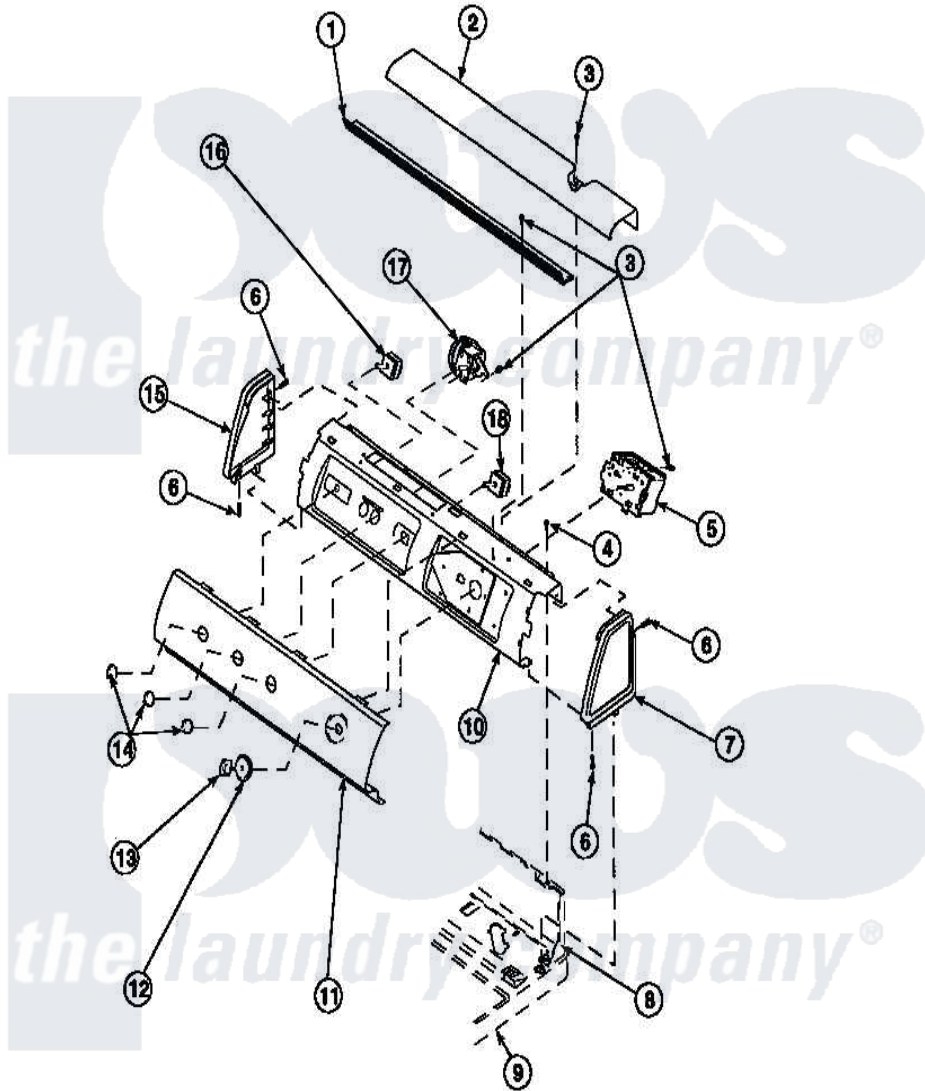


**Amana LW8203W2 (BOM: PLW8203W2 B) 11 - GRAPHIC PANEL, CTRL  
MTG PLATE AND CTRLS**



Amana Residential Amana LW8203W2 (BOM: PLW8203W2 B) Washer Parts Parts Diagram 11 - GRAPHIC PANEL, CTRL MTG PLATE AND CTRLS  
Click on the part number to view part

| Item | Original Part Number | Replaced By               | Status        | Part Description                        |
|------|----------------------|---------------------------|---------------|---|
| 1    | Y34826               |                           | Not Available | DIFFUSER,LAMP-CLEAR                     |
| 2    | 34824                |                           | Not Available | TOP COVER                               |
| 3    | 23962                | <a href="#">W10116760</a> |               | Screw                                   |
| 4    | 34904                | <a href="#">489355</a>    |               | Screw, 8 X 1/2                          |
| 6    | 501086               | <a href="#">90767</a>     |               | Screw, 8A X 3/8 HeX Washer Head Tapping |
| 7    | 34817                |                           | Not Available | END CAP(RIGHT)                          |
| 8    | 34903                |                           | Not Available | PANEL, BACK HOOD (USE 37782)            |
| 9    | 34902P               |                           | Not Available | TOP                                     |
| 10   | 34821                |                           | Not Available | CONTROL MOUNTING PLATE                  |
| 12   | 36700                |                           | Not Available | TIMER KNOB SKIRT                        |
| 13   | 35333                |                           | Not Available | TIMER KNOB                              |
| 14   | 36701                |                           | Not Available | KNOB, TEMP                              |
| 15   | 34818                |                           | Not Available | END CAP(LEFT)                           |

