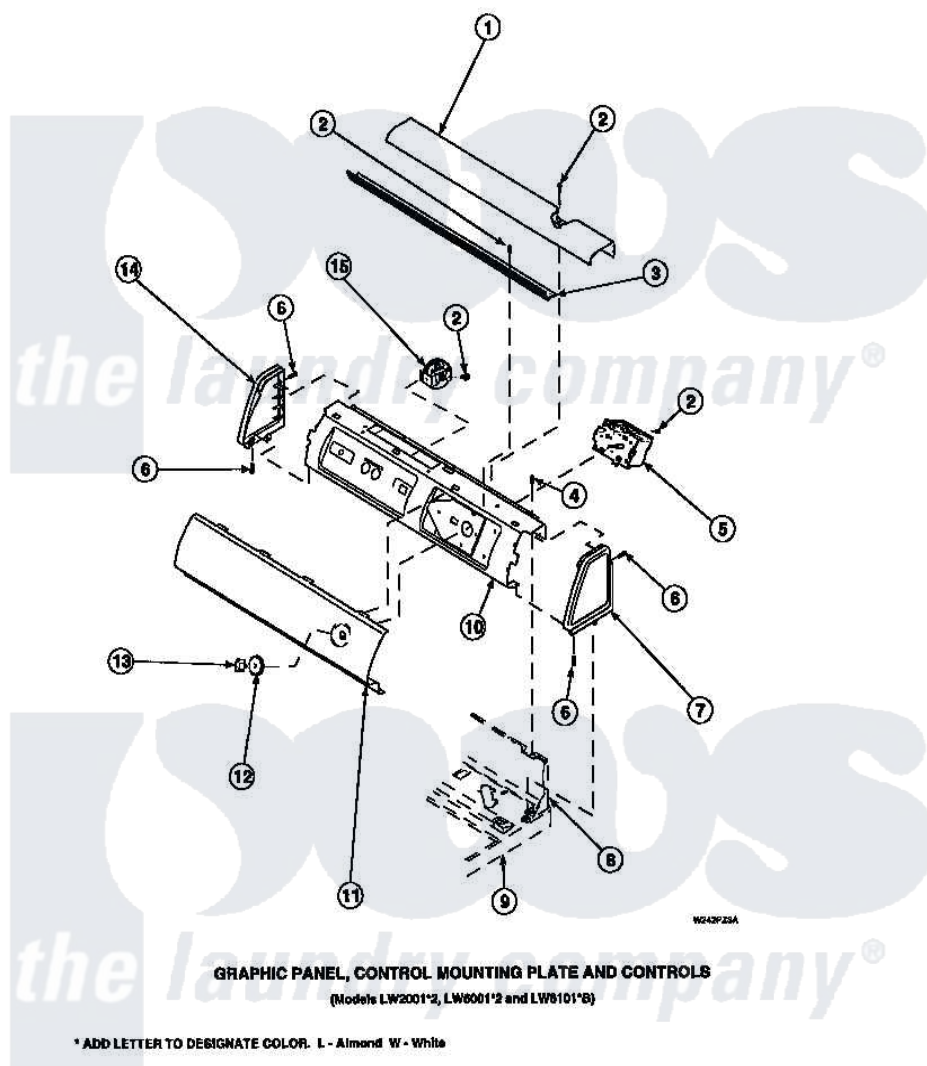


Amana LW8203W2B (BOM: PLW8203W2 A) 13 - GRAPHIC PANEL, CTRL MTG PLATE AND CTRLS



Amana Residential Amana LW8203W2B (BOM: PLW8203W2 A) Washer Parts Parts Diagram 13 - GRAPHIC PANEL, CTRL MTG PLATE AND CTRLS
Click on the part number to view part

| Item | Original Part Number | Replaced By | Status | Part Description |
|------|-----------------------|---------------------------|---------------|---|
| 2 | 23962 | W10116760 | | Screw |
| 3 | Y34826 | | Not Available | DIFFUSER,LAMP-CLEAR |
| 4 | 34904 | 489355 | | Screw, 8 X 1/2 |
| 6 | 501086 | 90767 | | Screw, 8A X 3/8 HeX Washer Head Tapping |
| 7 | 34817 | | Not Available | END CAP(RIGHT) |
| 8 | 34903 | | Not Available | PANEL, BACK HOOD (USE 37782) |
| 9 | 34902P | | Not Available | TOP |
| 10 | 34821 | | Not Available | CONTROL MOUNTING PLATE |
| 12 | 33817 | | Not Available | ASSY,TIMER SKIRT-BLACK |
| 13 | 33897 | | | Knob, Timer-Washer-Blac |
| 14 | 34818 | | Not Available | END CAP(LEFT) |