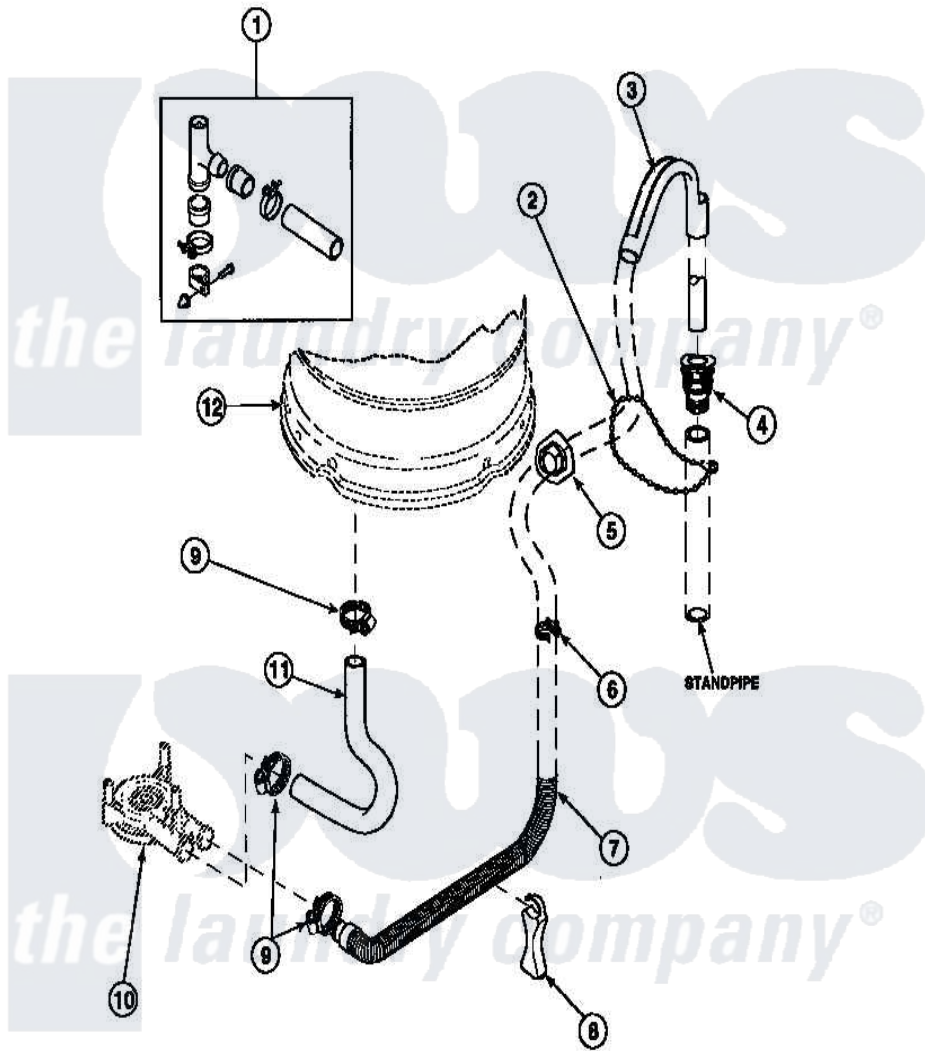


**Amana LW8252L2 (BOM: PLW8252L2 B) 07 - DRAIN HOSE AND SIPHON BREAK**



Amana Residential Amana LW8252L2 (BOM: PLW8252L2 B) Washer Parts Parts Diagram 07 - DRAIN HOSE AND SIPHON BREAK

[Click on the part number to view part](#)

| Item | Original Part Number   | Replaced By              | Status | Part Description      |
|------|------------------------|--------------------------|--------|-----------------------|
| 1    | 562P3                  | <a href="#">76660</a>    |        | Break-Sphn            |
| 2    | 33489                  | <a href="#">8539404</a>  |        | Tie-Wire              |
| 3    | 33615                  | <a href="#">22003814</a> |        | Retainer, Drain Hose  |
| 4    | 36878                  | <a href="#">40008101</a> |        | Adapter, Standpipe    |
| 5    | <a href="#">32219</a>  |                          |        | Relief, Strain        |
| 6    | <a href="#">36014</a>  |                          |        | Clip, Retainer-Hose   |
| 7    | 37245                  | <a href="#">40053901</a> |        | Hose, Drain           |
| 8    | <a href="#">36522</a>  |                          |        | Hose Support          |
| "    | <a href="#">35487</a>  |                          |        | Support, Hose         |
| 9    | 36802                  | <a href="#">285655</a>   |        | Clamp, Hose           |
| 10   | 36863P                 | <a href="#">27001233</a> |        | Pump                  |
| 11   | <a href="#">35753</a>  |                          |        | Hose, Tub To Pump-Ddp |
| 12   | <a href="#">34438P</a> |                          |        | Assembly, Outer Tub   |