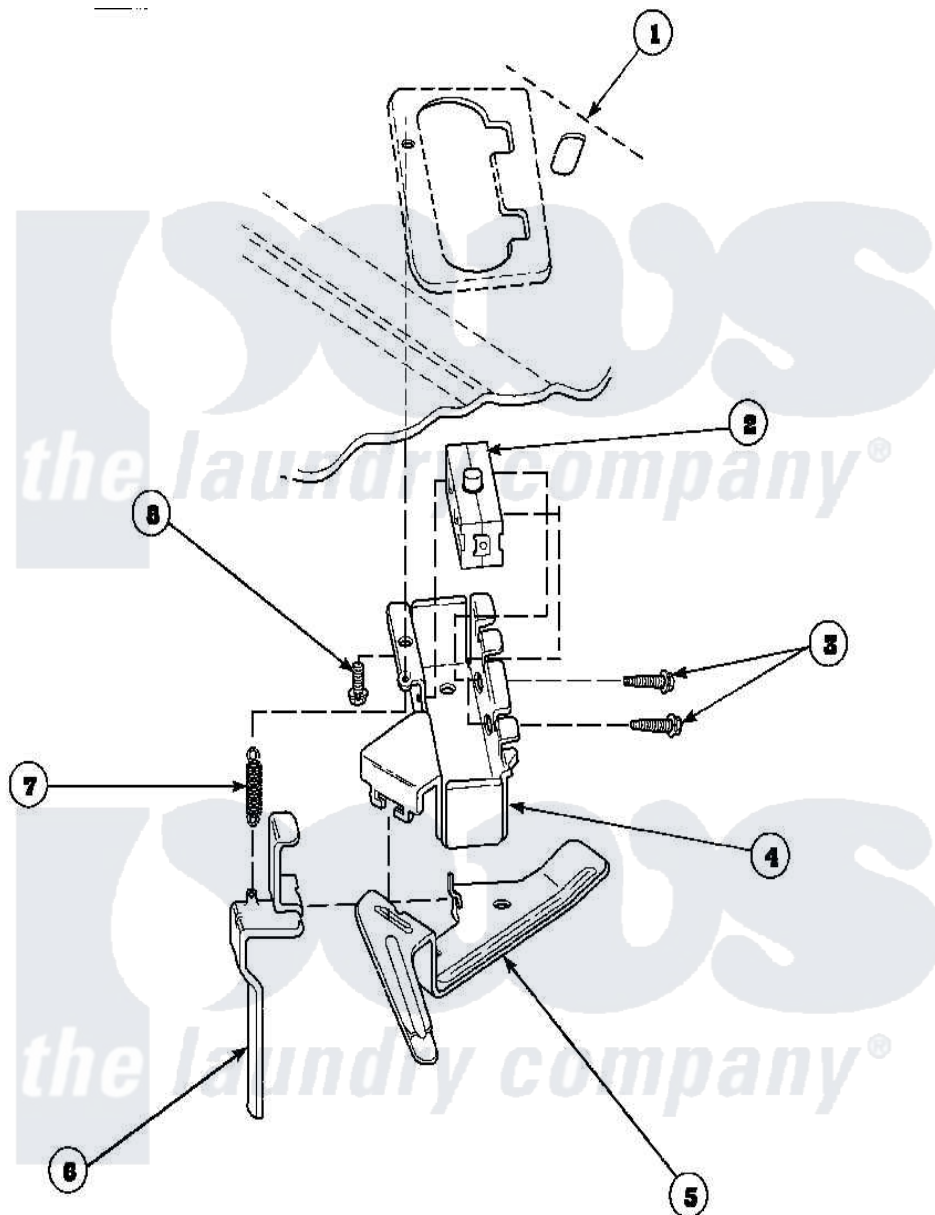


# Amana LW8252L2 (BOM: PLW8252L2A) 14 - OUT-OF-BALANCE SWITCH



Amana Residential Amana LW8252L2 (BOM: PLW8252L2A) Washer Parts Parts Diagram 14 - OUT-OF-BALANCE SWITCH

[Click on the part number to view part](#)

W240223A

| Item | Original Part Number   | Replaced By               | Status        | Part Description       |
|------|------------------------|---------------------------|---------------|------------------------|
| 1    | 34902_P                |                           | Not Available | CABINET TOP            |
| 2    | 33445                  | <a href="#">27001095</a>  |               | Switch, Lid            |
| 3    | <a href="#">36510</a>  |                           |               | Screw                  |
| 4    | <a href="#">36497P</a> |                           |               | Kit, Switch Holder     |
| 5    | <a href="#">33441</a>  |                           |               | Arm, Actuator          |
| 6    | <a href="#">33442</a>  |                           |               | Lever, Unbalanced Load |
| 7    | <a href="#">33443</a>  |                           |               | Spring                 |
| 8    | 23962                  | <a href="#">W10116760</a> |               | Screw                  |