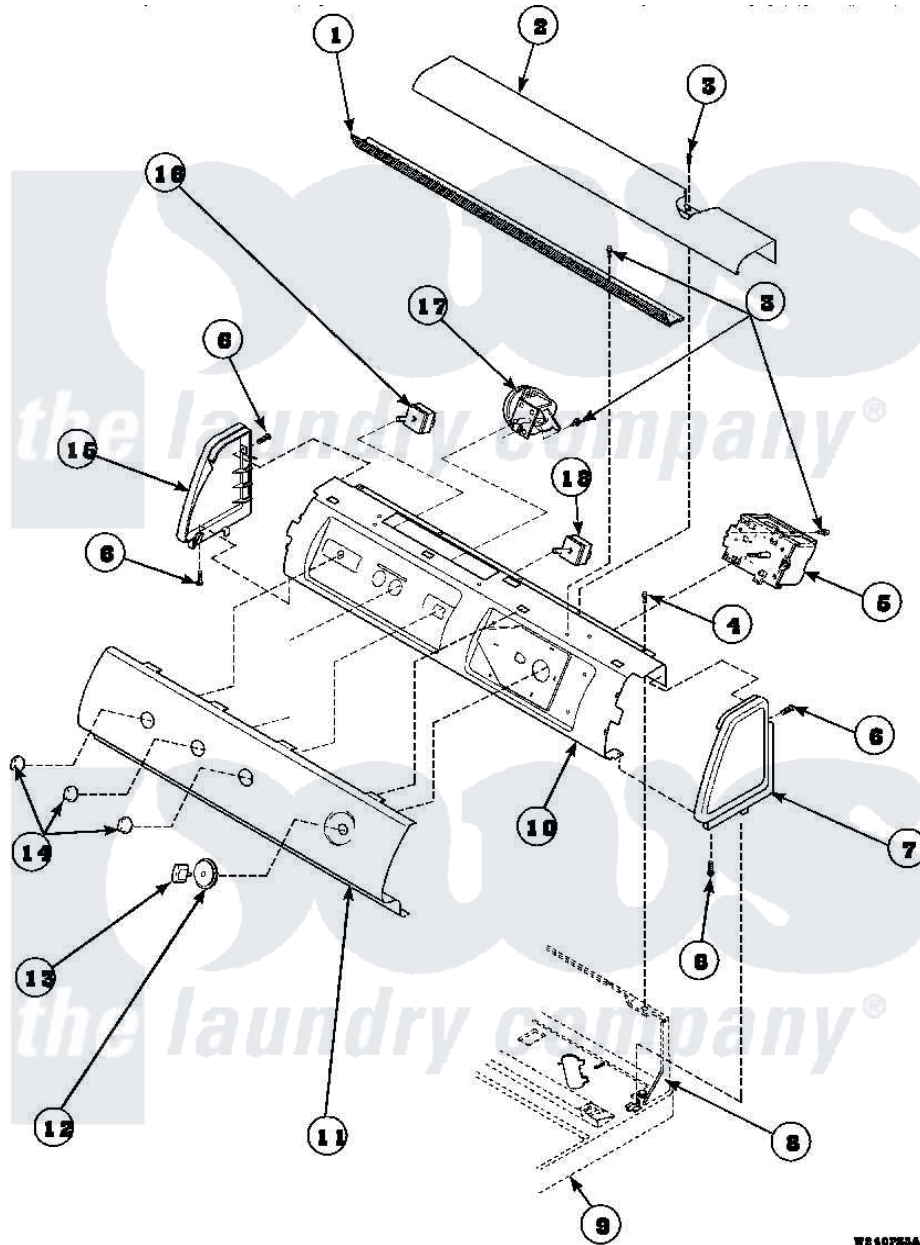


Amana LW8263W2 (BOM: PLW8263W2) 08 - GRAPHIC PANEL, CTRL MTG PLATE AND CTRLS



W840755A

Amana Residential Amana LW8263W2 (BOM: PLW8263W2) Washer Parts Parts Diagram 08 - GRAPHIC PANEL, CTRL MTG PLATE AND CTRLS

[Click on the part number to view part](#)

| Item | Original Part Number | Replaced By | Status | Part Description |
|------|----------------------|---------------------------|---------------|---|
| 1 | Y34826 | | Not Available | DIFFUSER,LAMP-CLEAR |
| 2 | 34824 | | Not Available | TOP COVER |
| 3 | 23962 | W10116760 | | Screw |
| 4 | 34904 | 489355 | | Screw, 8 X 1/2 |
| 6 | 501086 | 90767 | | Screw, 8A X 3/8 HeX Washer Head Tapping |
| 7 | 34817 | | Not Available | END CAP(RIGHT) |
| 8 | 34903 | | Not Available | PANEL, BACK HOOD (USE 37782) |
| 9 | 34902P | | Not Available | TOP |
| 10 | 34821 | | Not Available | CONTROL MOUNTING PLATE |
| 12 | 36700 | | Not Available | TIMER KNOB SKIRT |
| 13 | 35333 | | Not Available | TIMER KNOB |
| 14 | 36701 | | Not Available | KNOB, TEMP |
| 15 | 34818 | | Not Available | END CAP(LEFT) |

