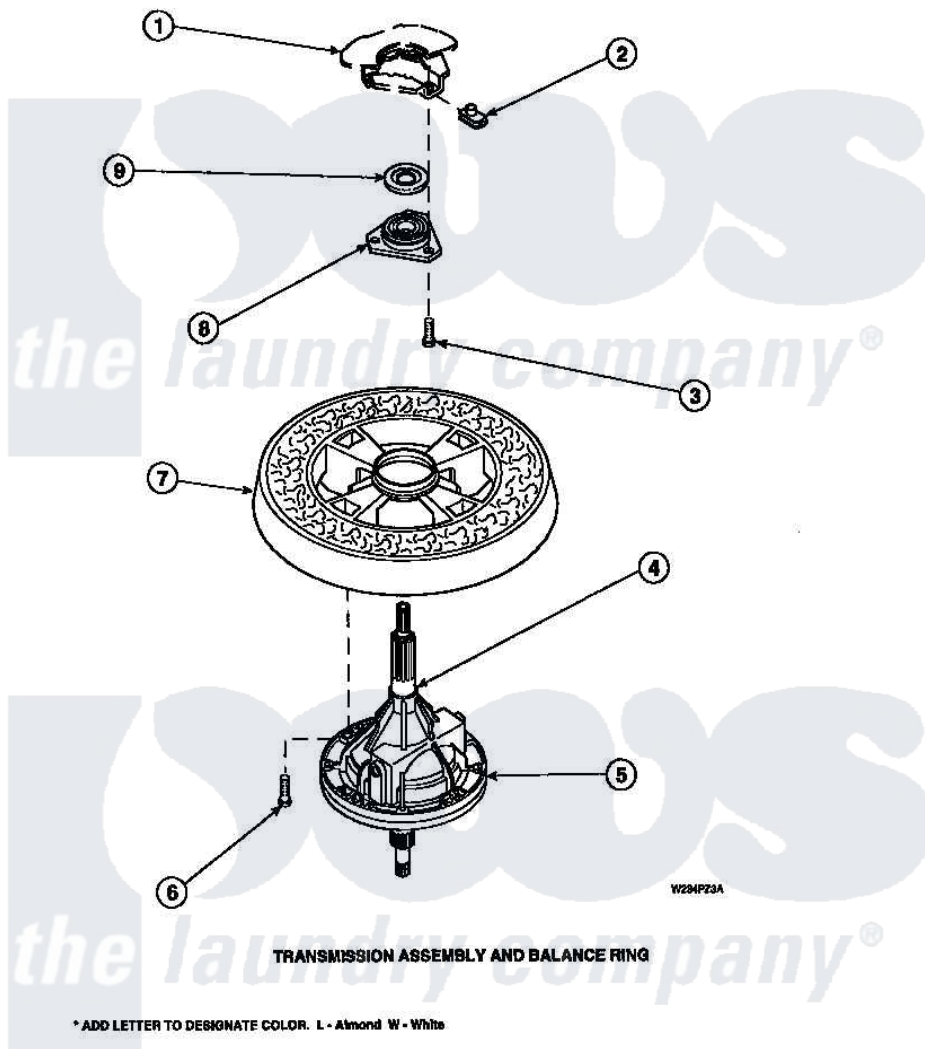


# Amana LW8312L2 (BOM: PLW8312L2 A) 27 - TRANSMISSION ASSY AND BALANCE RING



Amana Residential Amana LW8312L2 (BOM: PLW8312L2 A) Washer Parts Parts Diagram 27 - TRANSMISSION ASSY AND BALANCE RING

Click on the part number to view part

| Item | Original Part Number   | Replaced By               | Status        | Part Description            |
|------|------------------------|---------------------------|---------------|-----------------------------|
| 1    | <a href="#">34438P</a> |                           |               | Assembly, Outer Tub         |
| 2    | <a href="#">27222</a>  |                           |               | Nut, Retainer 5/16-18       |
| 3    | 36991                  | <a href="#">3400500</a>   |               | Bolt, 3405245 5/16-18 X 3/4 |
| 4    | <a href="#">27604P</a> |                           |               | Never-Seeze 1 Oz Tube       |
| 5    | <a href="#">34526P</a> |                           |               | Assembly, Transmission      |
| 6    | 37047                  |                           | Not Available | SCREW, CAP                  |
| 7    | 34731                  |                           | Not Available | ASSY,BALANCE RING-COMPL     |
| 8    | 27182                  | <a href="#">40004201P</a> |               | Main Bearing Assembly       |
| 9    | <a href="#">27187</a>  |                           |               | Flinger                     |