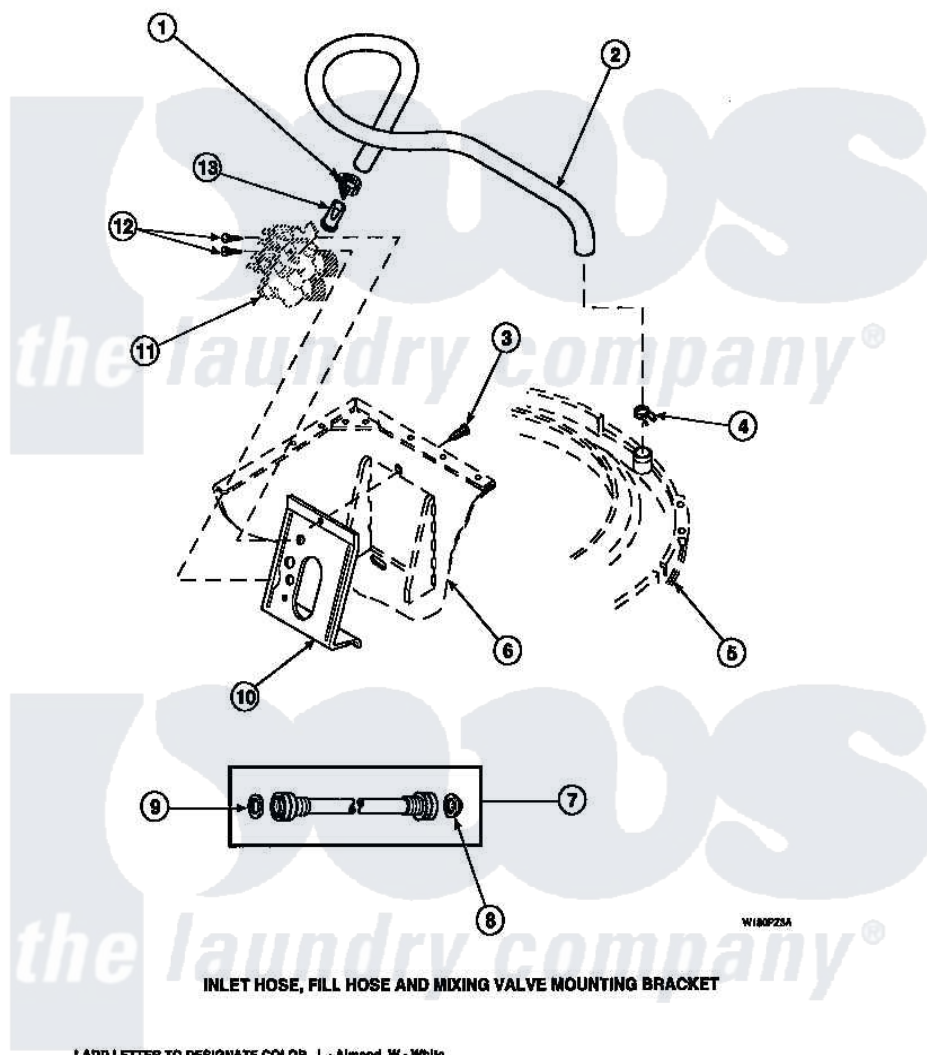


**Amana LW8312W2 (BOM: PLW8312W2 A) 17 - INLET/FILL HOSE & MIXING VLV MTG BRKT**



Amana Residential Amana LW8312W2 (BOM: PLW8312W2 A) Washer Parts Diagram 17 - INLET/FILL HOSE & MIXING VLV MTG BRKT  
Click on the part number to view part

Item	Original Part Number	Replaced By	Status	Part Description
1	36801	<a href="#">596669</a>		Clamp, Manifold
2	35874	<a href="#">38155</a>		Hose, Mix Valve To TU
3	33562	<a href="#">27001200</a>		Screw
4	<a href="#">29210</a>			Hose Clamp
5	<a href="#">36025P</a>			Assembly, Tub Coverand Gasket
6	34475P		Not Available	CABINET
7	20617		Not Available	HOSE, INLET (8 FT)
"	20618	<a href="#">21001467</a>		Hose- 10'
"	38349	<a href="#">38349P</a>		Hose, Inlet 5'
"	33171	<a href="#">38349P</a>		Hose, Inlet 5'
"	37380		Not Available	HOSE, INLET 8'
"	37381		Not Available	HOSE, INLET 10'
"	28330P	<a href="#">202860</a>		Inlet Hose Assembly
8	28605	<a href="#">22002960</a>		Strainer, Washer Inlet

9	20290	<a href="#">Y013783</a>	Washer, Inlet Hose
10	34972	<a href="#">39407</a>	Bracket, Valve
11	<a href="#">34997</a>		Valve, Mixing
12	501086	<a href="#">90767</a>	Screw, 8A X 3/8 HeX Washer Head Tapping
13	34500	<a href="#">22001900</a>	Preventer, Back Flow

