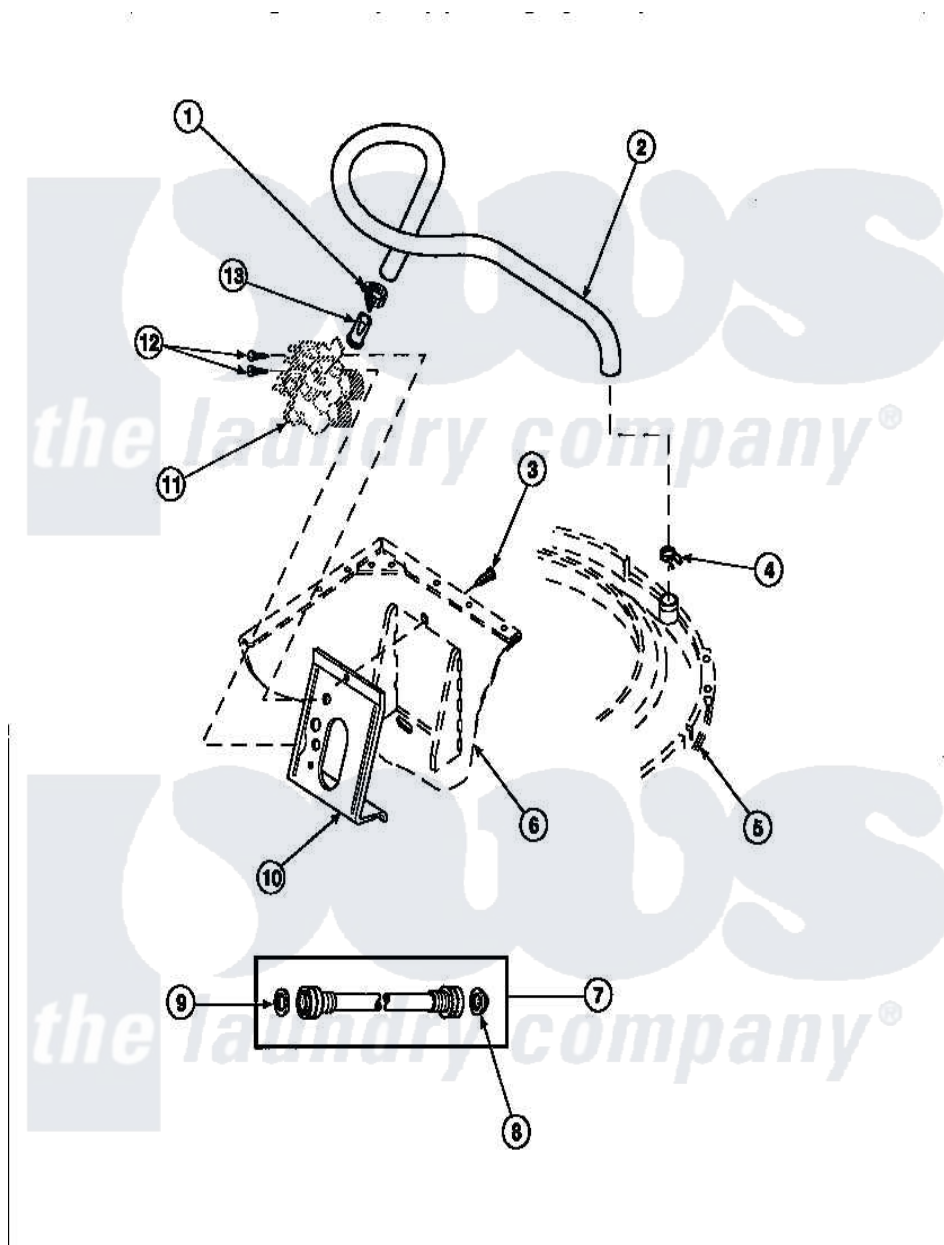


Amana LW8312W2 (BOM: PLW8312W2 B) 17 - INLET/FILL HOSE & MIXING VLV MTG BRKT



Amana Residential Amana LW8312W2 (BOM: PLW8312W2 B) Washer Parts Diagram 17 - INLET/FILL HOSE & MIXING VLV MTG BRKT
 Click on the part number to view part

Item	Original Part Number	Replaced By	Status	Part Description
1	36801	596669		Clamp, Manifold
2	35874	38155		Hose, Mix Valve To TU
3	33562	27001200		Screw
4	29210			Hose Clamp
5	36025P			Assembly, Tub Coverand Gasket
6	34475P		Not Available	CABINET
7	20617		Not Available	HOSE, INLET (8 FT)
"	20618	21001467		Hose- 10'
"	38349	38349P		Hose, Inlet 5'
"	33171	38349P		Hose, Inlet 5'
"	37380		Not Available	HOSE, INLET 8'
"	37381		Not Available	HOSE, INLET 10'
"	28330P	202860		Inlet Hose Assembly
8	28605	22002960		Strainer, Washer Inlet

9	20290	Y013783	Washer, Inlet Hose
10	34972	39407	Bracket, Valve
11	34997		Valve, Mixing
12	501086	90767	Screw, 8A X 3/8 HeX Washer Head Tapping
13	34500	22001900	Preventer, Back Flow

