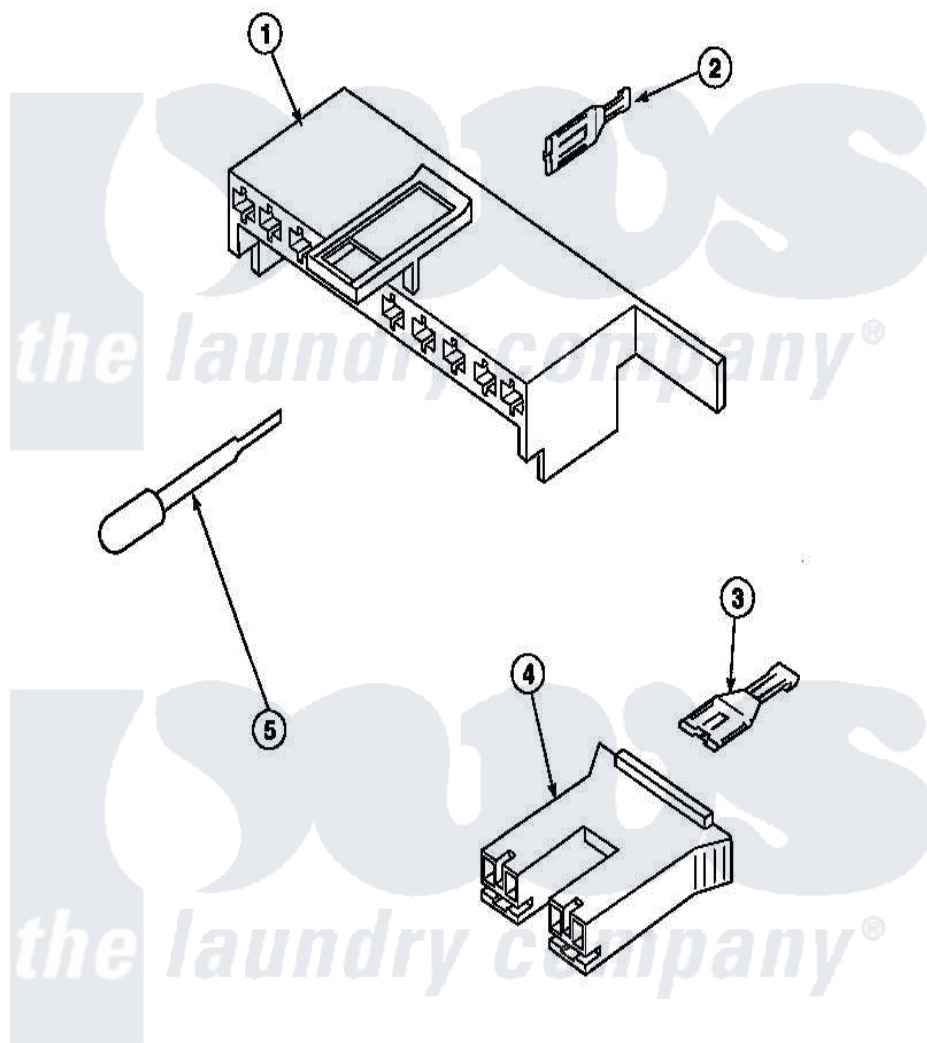


**Amana LW8312W2 (BOM: PLW8312W2 B) 19 - MIXING VALVE & MOTOR
CONN BLOCKS, TERM**



Amana Residential Amana LW8312W2 (BOM: PLW8312W2 B) Washer Parts Parts Diagram 19 - MIXING VALVE & MOTOR CONN BLOCKS, TERM
Click on the part number to view part

| Item | Original Part Number | Replaced By | Status | Part Description |
|------|------------------------|-------------|---------------|---|
| 1 | 34677 | | | 10 Circuit Plug |
| 2 | Y00188 | | | Molex Terminal |
| 3 | Y00121 | | Not Available | SPADE TERMINAL(12 GAUGE) (1/4 INCH-(2) 18 GAUGE WIRES O |
| 4 | 34676 | | | Plug |
| " | 34675 | | Not Available | PLUG |
| 5 | 283P4 | | | Terminal Extractor Tool |