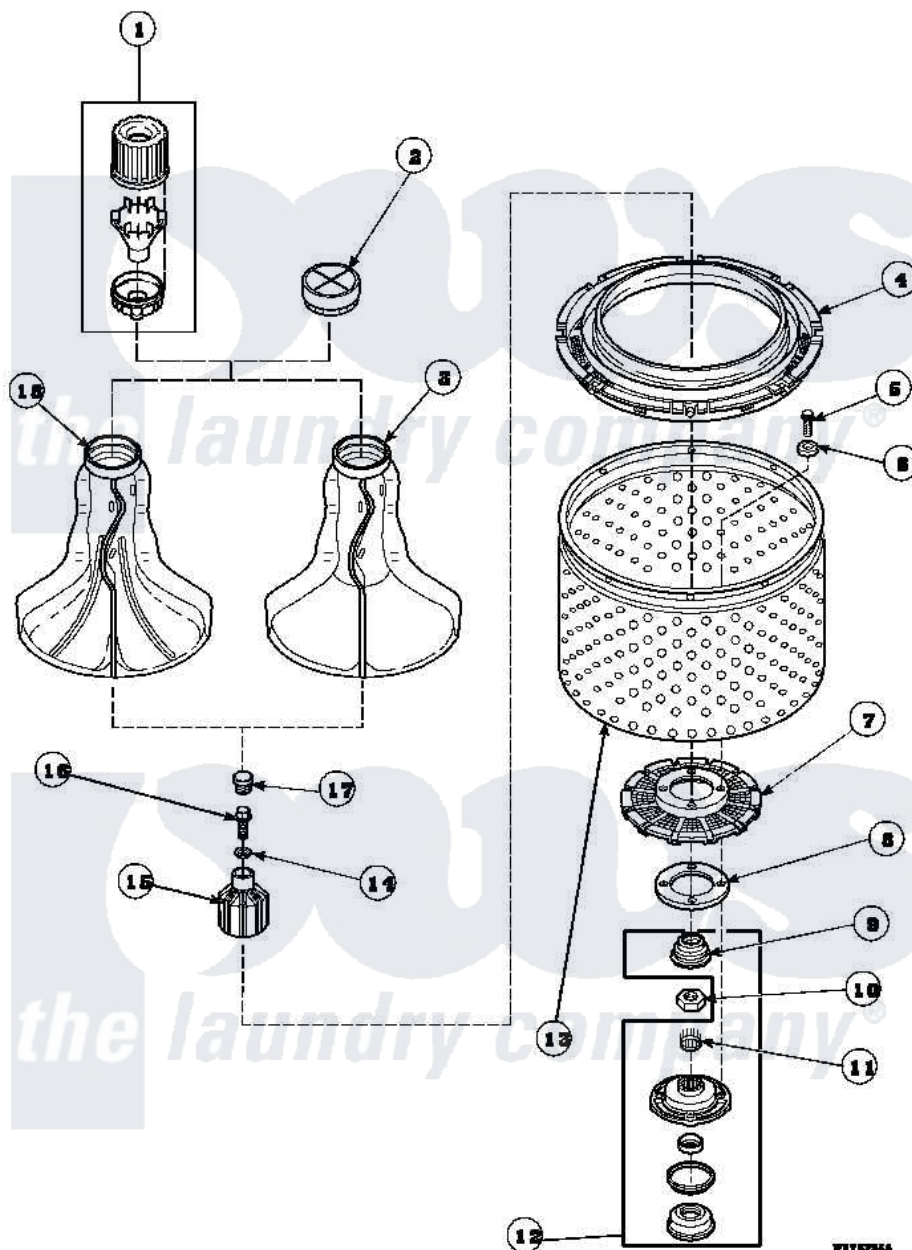


Amana LW8363L2 (BOM: PLW8363L2) 02 - AGITATOR/DRIVE BELL/SEAL KIT/TUB & HUB



Amana Residential Amana LW8363L2 (BOM: PLW8363L2) Washer Parts Parts Diagram 02 - AGITATOR/DRIVE BELL/SEAL KIT/TUB & HUB

[Click on the part number to view part](#)

| Item | Original Part Number | Replaced By | Status | Part Description |
|------|-----------------------|---------------------------|--------|--------------------------|
| 1 | 36542 | 40002101W | | Assembly, Fabric Softner |
| 2 | 36515 | | | Cap, Agitator |
| 3 | 36507 | 40000501W | | Agitator, Flex Vane |
| 4 | 35035 | | | Guard, Clothes |
| 5 | 27202 | W10116787 | | Screw |
| 6 | 28094 | | | Gasket |
| 7 | 32998 | 39371 | | Filter Lin |
| 9 | 36425 | 40016101 | | Seal, Bell Drive |
| 10 | Y29220 | 40016301 | | Nut, Lock |
| 11 | 29728 | 40008301 | | Insert, Spline |
| 12 | 495P3 | R9900552 | | Hub And Seal |
| 13 | 33501P | R9900144 | | Kit- Wash |
| 14 | 36472 | | | O-Ring |
| 15 | 36443P | R9900189 | | Kit, Drive Bell And Seal |
| 16 | 34288 | 40065102 | | Screw, Shoulder 1/4 |

