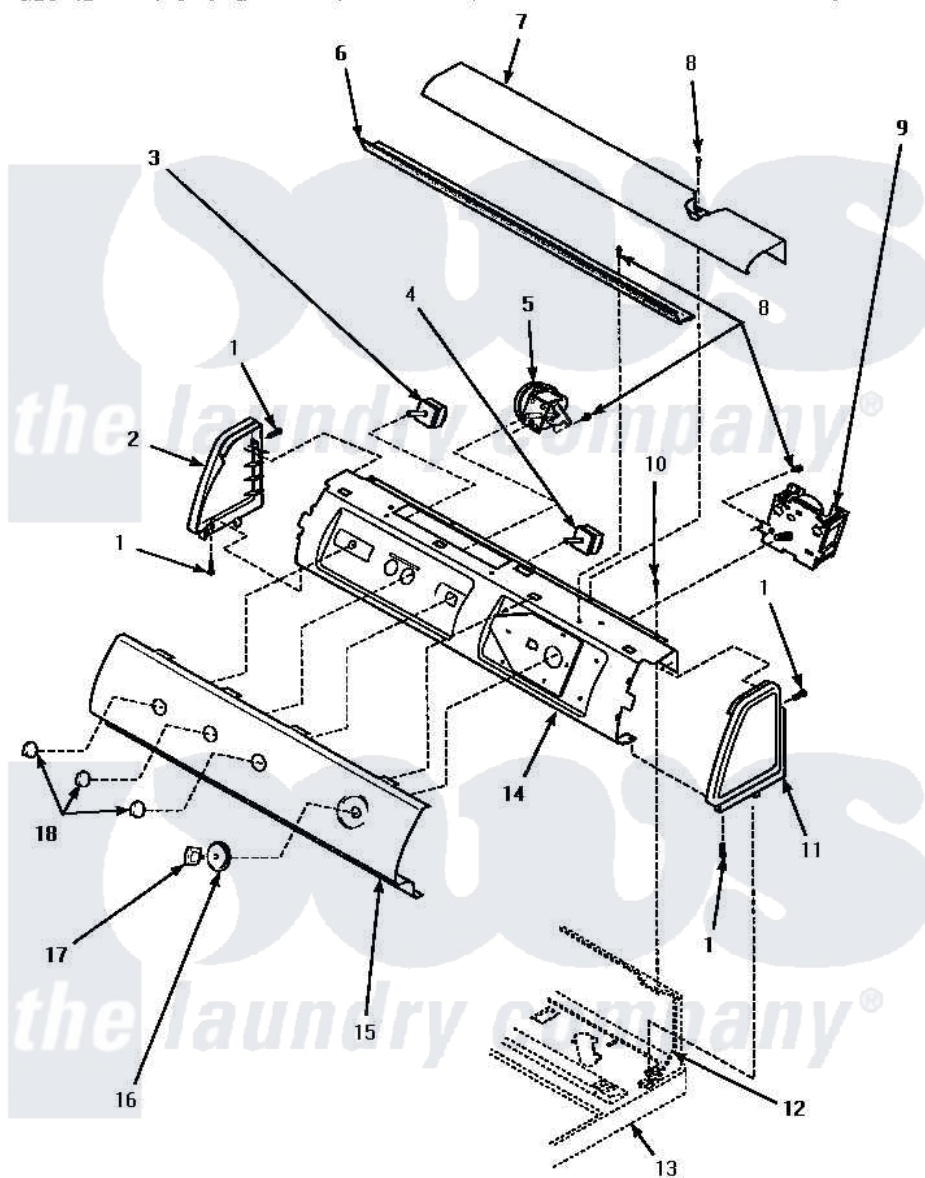


**Amana LW8403W (BOM: P1163305W W) 08 - GRAPHIC PANEL, CTRL
MTG PLATE & CTRLS**



GRAPHIC PANEL, CONTROL MOUNTING PLATE AND CONTROLS

Amana [Residential Amana LW8403W \(BOM: P1163305W W\) Washer Parts](#) Parts Diagram 08 - GRAPHIC PANEL, CTRL
MTG PLATE & CTRLS

[Click on the part number to view part](#)

Item	Original Part Number	Replaced By	Status	Part Description
"	NOTE:		Not Available	OUTER TUB COVER AND GASKET TOOL IS FOR REMOVAL OF 36025 OUTER TUB COVER FROM OUTER TUB AND INSTALLATION OF 32857 GASKET IN OUTER TUB COVER.
1	501086	90767		Screw, 8A X 3/8 HeX Washer Head Tapping
2	34818W		Not Available	PANEL,END-LH
3	35117		Not Available	SWITCH,TEMPERATURE 5 P
4	35119		Not Available	SWITCH,TEMPERATURE 4 POS
5	36045	40055101		Switch, Pressure
6	Y34826		Not Available	DIFFUSER,LAMP-CLEAR
7	34824W		Not Available	COVER, TOP (COMPUTOR)
8	23962	W10116760		Screw
9	31240	31240P		Timer 5 Cycle Package

10	34904	489355	Screw, 8 X 1/2	
11	34817W		Not Available	PANEL,END-RH
12	Y00000000		Not Available	SEE NOTE CONTROL HOOD REAR PANEL
13	Y00000000		Not Available	SEE NOTE CONTROL TOP
14	34821		Not Available	CONTROL MOUNTING PLATE
15	35313W		Not Available	PANEL, GRAPHIC
16	35332W		Not Available	ASSY,TIMER SKIRT
17	35333W			Knob, Timer
18	35330W	36701W		Knob

