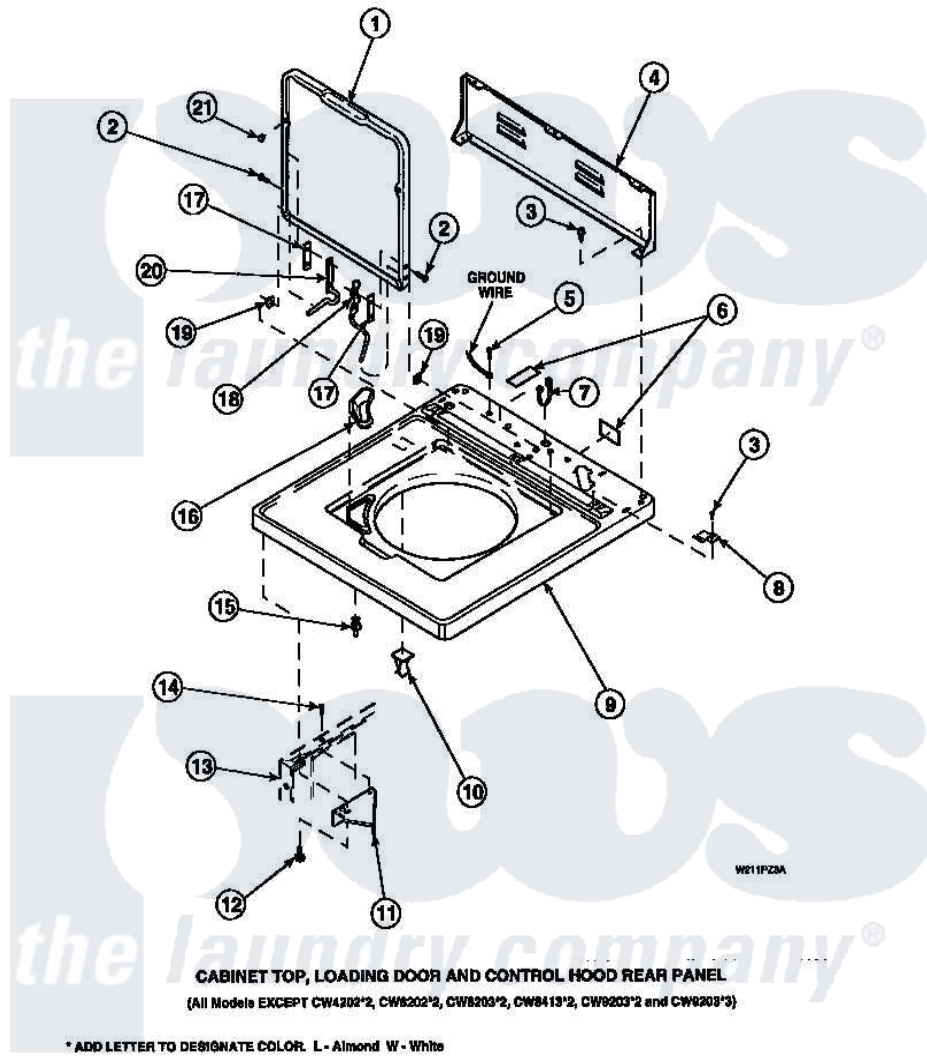


Amana LW8413L2 (BOM: PLW8413L2 A) 06 - CAB TOP/LOADING DR & CTRL HOOD REAR PAN



Amana Residential Amana LW8413L2 (BOM: PLW8413L2 A) Washer Parts Parts Diagram 06 - CAB TOP/LOADING DR & CTRL HOOD REAR PAN  
 Click on the part number to view part

| Item | Original Part Number  | Replaced By               | Status        | Part Description                            |
|------|-----------------------|---------------------------|---------------|---|
| 1    | 36018P                |                           | Not Available | LOADING DOOR MODELS LW9203x                 |
| 2    | 34337                 | <a href="#">W10119828</a> |               | Screw, Lid Hinge Mounting                   |
| 3    | 23962                 | <a href="#">W10116760</a> |               | Screw                                       |
| 4    | 34903                 |                           | Not Available | PANEL, BACK HOOD (USE 37782)                |
| 5    | <a href="#">52909</a> |                           |               | Screw, 10B-16 X 1/2 HeX                     |
| 6    | 24903                 |                           | Not Available | STICKER,DISCONNECT POW                      |
| 7    | 21903                 | <a href="#">211881</a>    |               | Grommet, Cord Part Not Used-Gas Models Only |
| 8    | 35887                 | <a href="#">40063901</a>  |               | Clip, Hold Down                             |
| 9    | 34902P                |                           | Not Available | TOP   |
| 10   | 36519                 |                           | Not Available | CLIP  |
| 11   | <a href="#">36034</a> |                           |               | Bracket, Director-Module                    |
| 12   | Y31644                | <a href="#">27001200</a>  |               | Screw                                       |

|    |                       |                          |                            |
|----|-----------------------|--------------------------|----------------------------|
| 13 | 34475P                | Not Available            | CABINET                    |
| 14 | 36035                 | Not Available            | SCREW,8-18X3/8 PHIL FLT HD |
| 15 | <a href="#">56534</a> |                          | Barrel, Support            |
| 16 | 34776                 | Not Available            | DISPENSER,BLEACH           |
| 17 | <a href="#">34338</a> |                          | Gasket, Hinge              |
| 18 | <a href="#">36437</a> |                          | Hinge, Lid R               |
| 19 | 33446                 | <a href="#">40008201</a> | Bushing, Hinge             |
| 20 | <a href="#">36513</a> |                          | Hinge, Left                |
| 21 | 21685                 | <a href="#">40038001</a> | Bumper                     |

