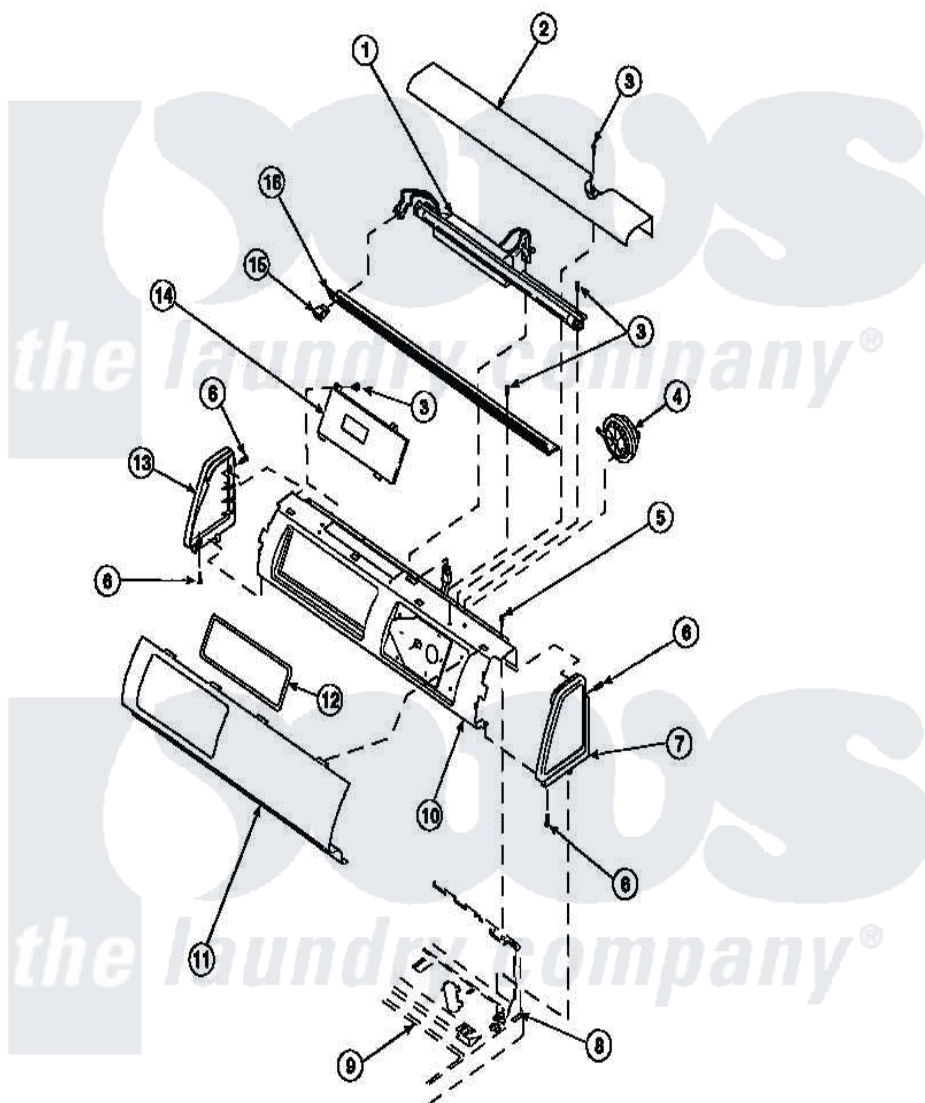


**Amana LW8413L2 (BOM: PLW8413L2 B) 12 - GRAPHIC PANEL, CTRL  
MTG PLATE AND CTRLS**



Amana [Residential Amana LW8413L2 \(BOM: PLW8413L2 B\) Washer Parts](#) Parts Diagram 12 - GRAPHIC PANEL, CTRL  
MTG PLATE AND CTRLS  
[Click on the part number to view part](#)

| Item | Original Part Number  | Replaced By               | Status        | Part Description                        |
|------|-----------------------|---------------------------|---------------|---|
| 1    | <a href="#">34836</a> |                           |               | Assembly, Fluorescent Light             |
| 2    | 34824                 |                           | Not Available | TOP COVER                               |
| 3    | 23962                 | <a href="#">W10116760</a> |               | Screw                                   |
| 4    | 36136                 | <a href="#">39078</a>     |               | Switch- Pr                              |
| 5    | 34904                 | <a href="#">489355</a>    |               | Screw, 8 X 1/2                          |
| 6    | 501086                | <a href="#">90767</a>     |               | Screw, 8A X 3/8 HeX Washer Head Tapping |
| 7    | 34817                 |                           | Not Available | END CAP(RIGHT)                          |
| 8    | 34903                 |                           | Not Available | PANEL, BACK HOOD (USE 37782)            |
| 9    | 34902P                |                           | Not Available | TOP                                     |
| 10   | 34822                 |                           | Not Available | NO LONGER AVAILABLE                     |
| 11   | 35312                 |                           | Not Available | SPRING                                  |
| 12   | <a href="#">35114</a> |                           |               | Gasket, Electronic Control              |
| 13   | 34818                 |                           | Not Available | END CAP(LEFT)                           |

|    |                       |                          |                      |
|----|-----------------------|--------------------------|----------------------|
| 14 | 36744WP               | <a href="#">R9900570</a> | Control BR           |
| 15 | 35038                 | Not Available            | SWITCH/ WHITE        |
| 16 | <a href="#">34829</a> |                          | Diffuser, Lamp-Clear |

