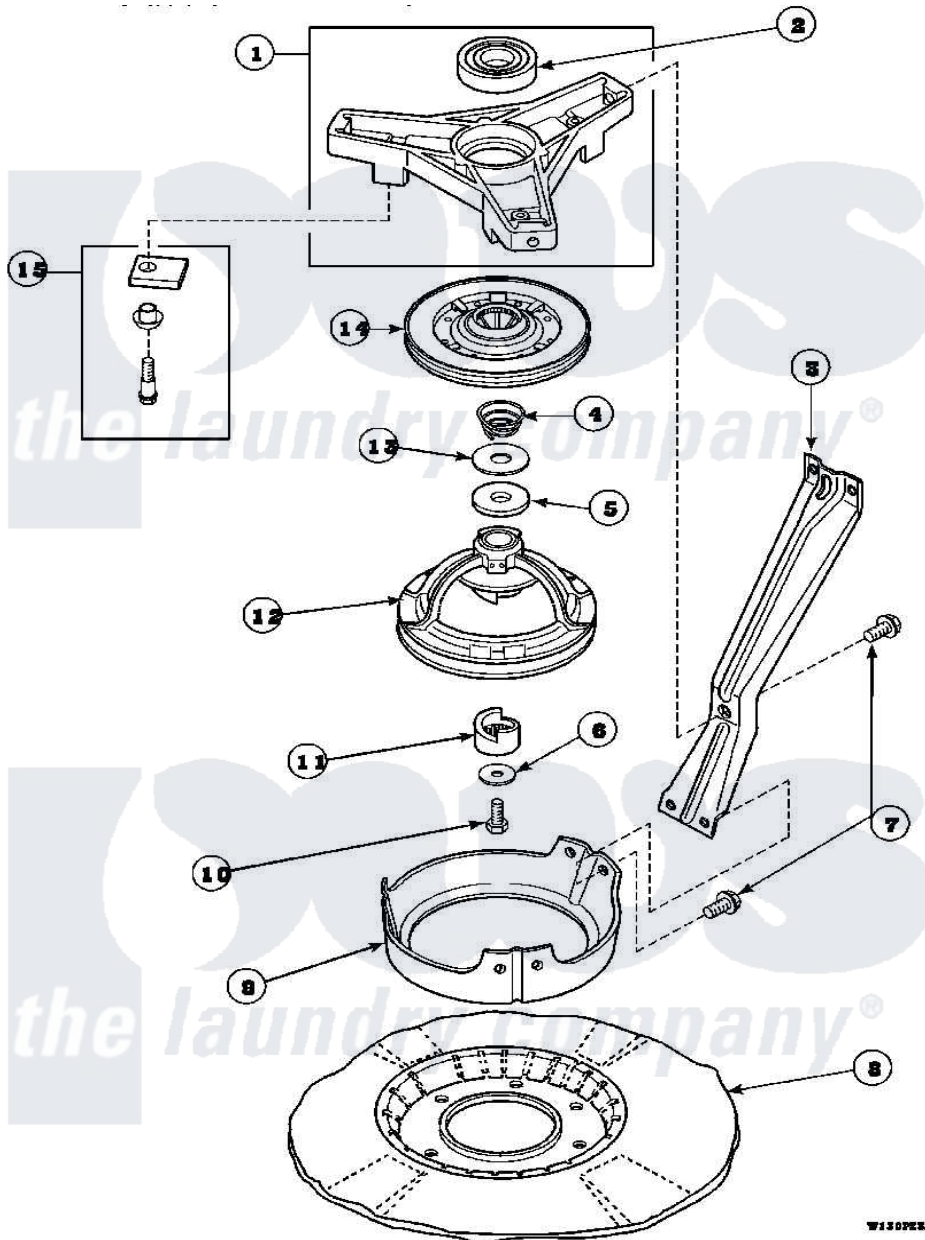


Amana LW8413L2 (BOM: PLW8413L2A) 04 - BRG HSG/BRAKE/PULLEY & PIVOT DOME



Amana Residential Amana LW8413L2 (BOM: PLW8413L2A) Washer Parts Parts Diagram 04 - BRG HSG/BRAKE/PULLEY & PIVOT DOME
 Click on the part number to view part

| Item | Original Part Number | Replaced By | Status | Part Description |
|------|------------------------|--------------------------|---------------|-----------------------------------|
| 1 | 35746 | | | Assembly, Bearing Housing-L |
| 2 | 28944R | 40004001 | | Bearing, Main |
| 3 | 34471 | | Not Available | LEG,SUPPORT |
| 4 | 33435 | | | Spring, Conical |
| 5 | 27015 | 40063201 | | Washer, Flat |
| 6 | 26509 | 40041501 | | Washer |
| 7 | 35369 | 40128701 | | Screw, 5/16-18 X .50 |
| 8 | 36599P | | | Assembly Nut/ Leg Base |
| " | 34434P | | | Assembly Nut/Leg Base |
| 9 | 34470 | | | Dome, Pivot |
| 10 | 27220 | 40063401 | | Screw, 1/4-20 x 5/8 Hex |
| 11 | 27018 | | | Helix |
| 12 | 34921 | | | Assembly, Pulley-Spin And Agitate |
| 13 | 35535 | 40065701 | | Washer, 2 Odx.63 ID |

