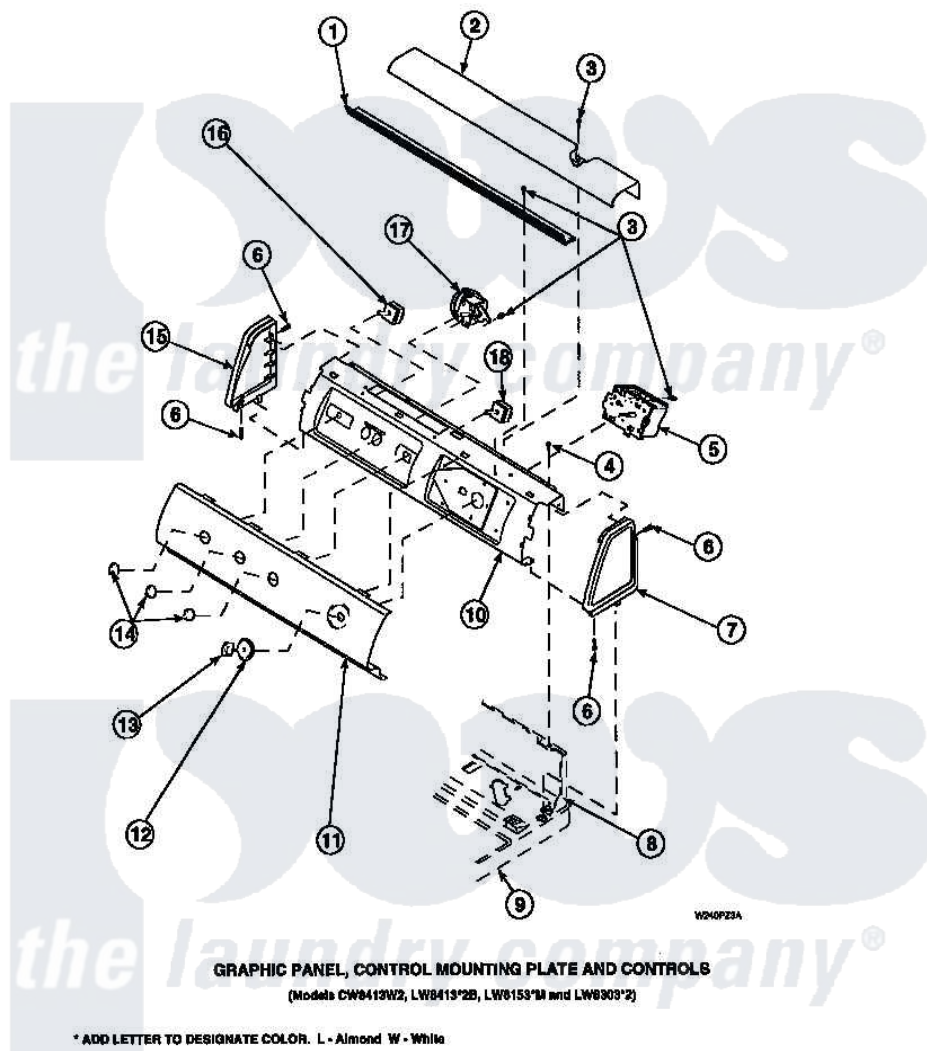


Amana LW8413W2B (BOM: PLW8413W2 A) 11 - GRAPHIC PANEL, CTRL MTG PLATE AND CTRLS



Amana Residential Amana LW8413W2B (BOM: PLW8413W2 A) Washer Parts Parts Diagram 11 - GRAPHIC PANEL, CTRL MTG PLATE AND CTRLS
 Click on the part number to view part

| Item | Original Part Number | Replaced By | Status | Part Description |
|------|-----------------------|---------------------------|---------------|---|
| 1 | Y34826 | | Not Available | DIFFUSER,LAMP-CLEAR |
| 2 | 34824 | | Not Available | TOP COVER |
| 3 | 23962 | W10116760 | | Screw |
| 4 | 34904 | 489355 | | Screw, 8 X 1/2 |
| 5 | 36607 | | | Timer, 4 Cycle |
| " | 36773 | | | Timer, 5 Cycle |
| " | 38297 | | | Timer, 5 CYC |
| 6 | 501086 | 90767 | | Screw, 8A X 3/8 HeX Washer Head Tapping |
| 7 | 34817 | | Not Available | END CAP(RIGHT) |
| 8 | 34903 | | Not Available | PANEL, BACK HOOD (USE 37782) |
| 9 | 34902P | | Not Available | TOP |
| 10 | 34821 | | Not Available | CONTROL MOUNTING PLATE |
| 11 | 36611 | | Not Available | PANEL, GRAPHICS |

| | | | |
|----|-----------------------|--------------------------|----------------------------|
| " | 36612 | | Graphic Panel |
| " | 36625 | 07708700 | Grate |
| 12 | 36700 | | Not Available |
| | | | TIMER KNOB SKIRT |
| 13 | 35333 | | Not Available |
| | | | TIMER KNOB |
| 14 | 36701 | | Not Available |
| | | | KNOB, TEMP |
| 15 | 34818 | | Not Available |
| | | | END CAP(LEFT) |
| 16 | 36335 | 40046601 | Switch, Temperature Select |
| 17 | 35118 | 40039501 | Switch, Speed |
| 18 | 36045 | 40055101 | Switch, Pressure |

