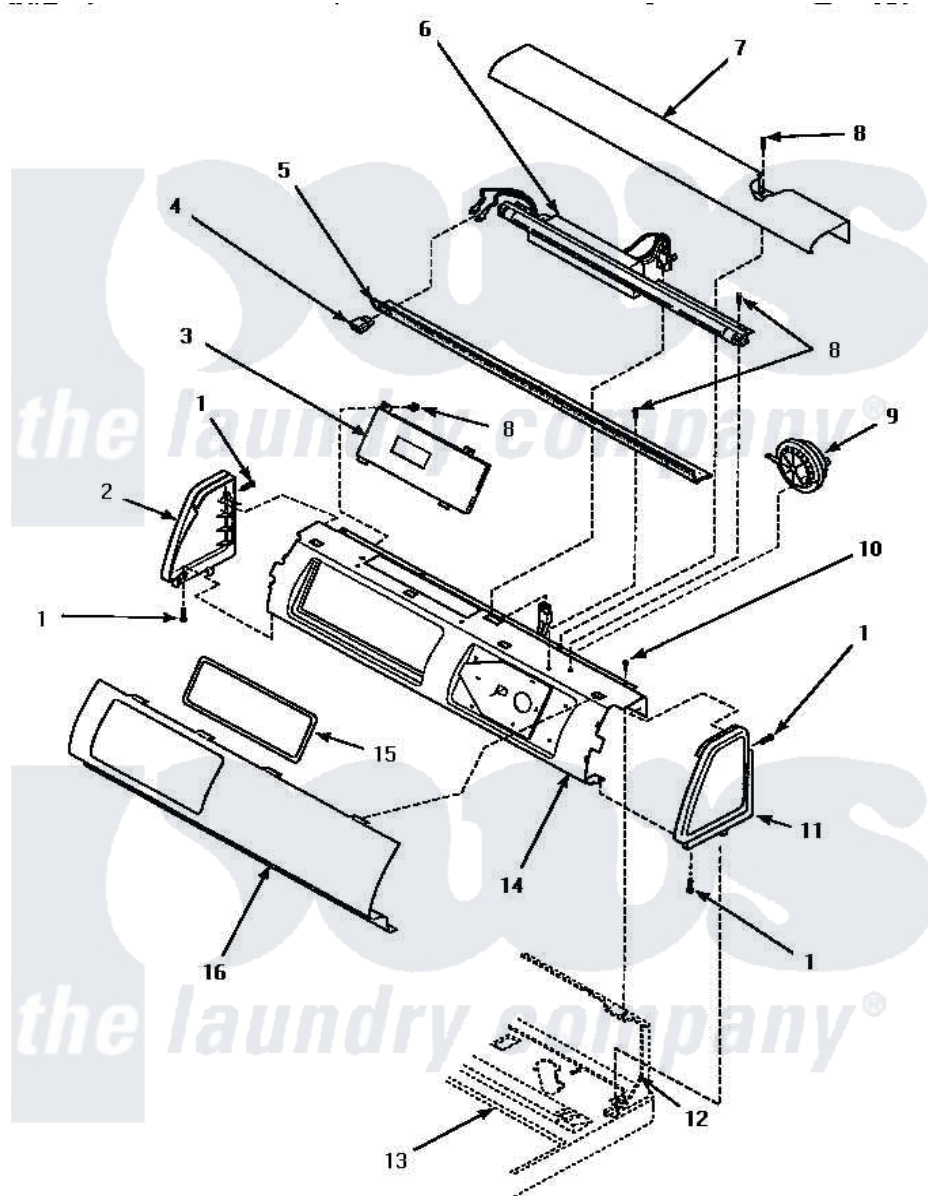


**Amana LW9203W (BOM: P1163401W W) 08 - GRAPHIC PANEL, CTRL  
MTG PLATE & CTRLS**



**GRAPHIC PANEL, CONTROL MOUNTING PLATE AND CONTROLS**

Amana [Residential Amana LW9203W \(BOM: P1163401W W\) Washer Parts](#) Parts Diagram 08 - GRAPHIC PANEL, CTRL  
MTG PLATE & CTRLS

[Click on the part number to view part](#)

Item	Original Part Number	Replaced By	Status	Part Description
"	NOTE:		Not Available	OUTER TUB COVER AND GASKET TOOL IS FOR REMOVAL OF 36025 OUTER TUB COVER FROM OUTER TUB AND INSTALLATION OF 32857 GASKET IN OUTER TUB COVER.
1	501086	<a href="#">90767</a>		Screw, 8A X 3/8 HeX Washer Head Tapping
2	34818W		Not Available	PANEL,END-LH
3	35366W	<a href="#">R9900570</a>		Control BR
4	35038		Not Available	SWITCH/ WHITE
5	<a href="#">34829</a>			Diffuser, Lamp-Clear
6	34837		Not Available	BULB,FLUORESCENT
"	34841		Not Available	STARTER,FLUORESCENT
"	<a href="#">34836</a>			Assembly, Fluorescent Light
7	34824W		Not Available	COVER, TOP (COMPUTOR)

8	23962	<a href="#">W10116760</a>	Screw
9	36136	<a href="#">39078</a>	Switch- Pr
10	34904	<a href="#">489355</a>	Screw, 8 X 1/2
11	34817W	Not Available	PANEL,END-RH
12	Y00000000	Not Available	SEE NOTE CONTROL HOOD REAR PANEL
13	Y00000000	Not Available	SEE NOTE CABINET TOP
14	34822	Not Available	NO LONGER AVAILABLE
15	<a href="#">35114</a>		Gasket, Electronic Control
16	<a href="#">35312W</a>		Panel, Graphic-Amana

