

Amana LWA10AW (BOM: PLWA10AW) 03 - CABINET TOP, DOOR, AND DOOR SWITCH

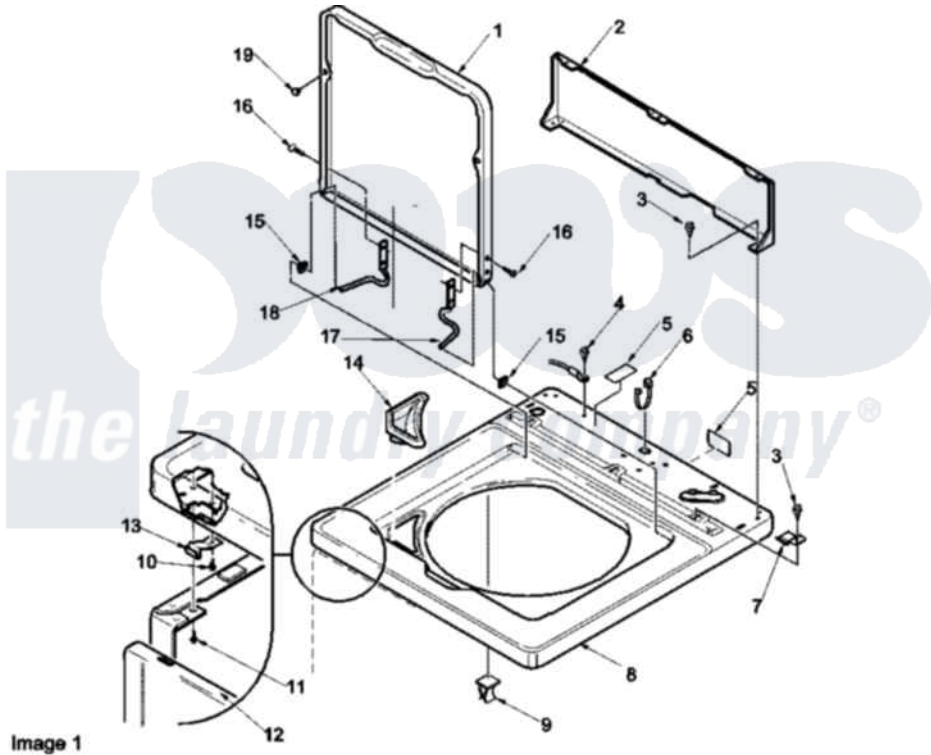


Image 1

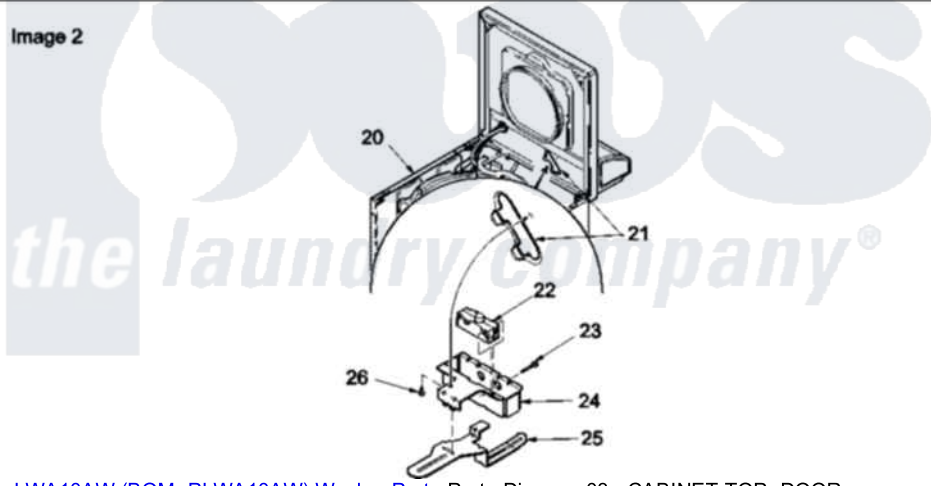


Image 2

Amana Residential Amana LWA10AW (BOM: PLWA10AW) Washer Parts Parts Diagram 03 - CABINET TOP, DOOR, AND DOOR SWITCH

[Click on the part number to view part](#)

Item	Original Part Number	Replaced By	Status	Part Description
1	37827WP		Not Available	LOADING DOOR
2	37782			Control Hood Back Panel
3	23962	W10116760		Screw
4	52909			Screw, 10B-16 X 1/2 HeX
5	24903		Not Available	STICKER,DISCONNECT POW
6	21903	211881		Grommet, Cord Part Not Used-Gas Models Only
7	35887	40063901		Clip, Hold Down
8	37992WP			Top, Home W/Bleach
9	36519		Not Available	CLIP
10	501086	90767		Screw, 8A X 3/8 HeX Washer Head Tapping
11	Y31644	27001200		Screw
12	38238WP	38335WP		Panel Frontw/Carton
13	38271	40034202		Clip, Spring

14	38382	40093901	Dispenser, Bleach
15	39039	40008201	Bushing, Hinge
16	34337	W10119828	Screw, Lid Hinge Mounting
17	36437		Hinge, Lid R
18	36513		Hinge, Left
19	21685	40038001	Bumper
20	34475WP	38612WP	Kit-Servic
21	37992WP		Top, Home W/Bleach
22	33445	27001095	Switch, Lid
23	36510		Screw
24	37629	40009801	Holder, Lid Switch
25	37630	40009701	Arm, Lid Switch
26	23962	W10116760	Screw

the laundry company[®]

the laundry company[®]

the laundry company[®]