

# Amana LWA30AW (BOM: PLWA30AW) 03 - Cabinet Top, Door, and Door Switch

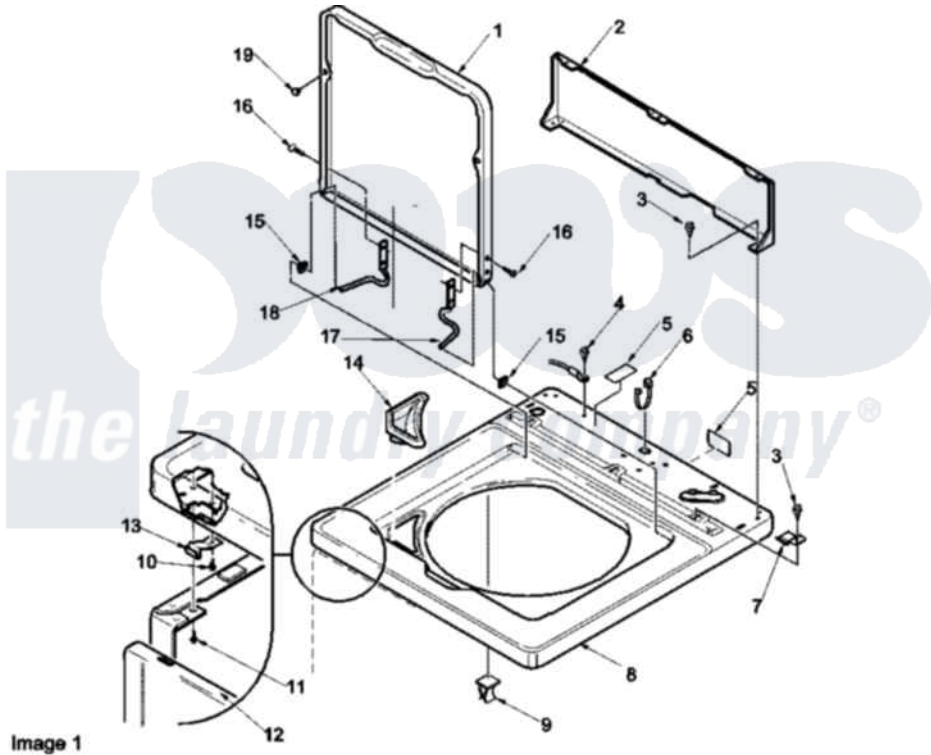


Image 1

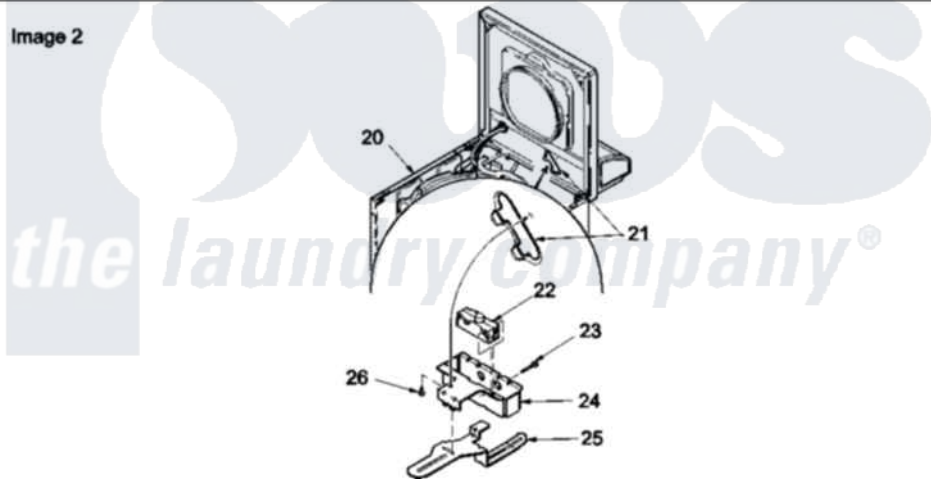


Image 2

Amana [Residential Amana LWA30AW \(BOM: PLWA30AW\) Washer Parts](#) Parts Diagram 03 - Cabinet Top, Door, and Door Switch

[Click on the part number to view part](#)

Item	Original Part Number	Replaced By	Status	Part Description
1	37827WP		Not Available	LOADING DOOR
2	<a href="#">37782</a>			Control Hood Back Panel
3	23962	<a href="#">W10116760</a>		Screw
4	<a href="#">52909</a>			Screw, 10B-16 X 1/2 HeX
5	24903		Not Available	STICKER,DISCONNECT POW
6	21903	<a href="#">211881</a>		Grommet, Cord Part Not Used-Gas Models Only
7	35887	<a href="#">40063901</a>		Clip, Hold Down
8	37992W	<a href="#">37992WP</a>		Top, Home W/Bleach
9	36519		Not Available	CLIP
10	501086	<a href="#">90767</a>		Screw, 8A X 3/8 HeX Washer Head Tapping
11	Y31644	<a href="#">27001200</a>		Screw
12	38238WP	<a href="#">38335WP</a>		Panel Frontw/Carton
13	38271	<a href="#">40034202</a>		Clip, Spring

14	38382	<a href="#">40093901</a>	Dispenser, Bleach
15	39039	<a href="#">40008201</a>	Bushing, Hinge
16	34337	<a href="#">W10119828</a>	Screw, Lid Hinge Mounting
17	<a href="#">36437</a>		Hinge, Lid R
18	<a href="#">36513</a>		Hinge, Left
19	21685	<a href="#">40038001</a>	Bumper
20	34475WP	<a href="#">38612WP</a>	Kit-Servic
21	<a href="#">37992WP</a>		Top, Home W/Bleach
22	33445	<a href="#">27001095</a>	Switch, Lid
23	<a href="#">36510</a>		Screw
24	37629	<a href="#">40009801</a>	Holder, Lid Switch
25	37630	<a href="#">40009701</a>	Arm, Lid Switch
26	23962	<a href="#">W10116760</a>	Screw

*the laundry company*<sup>®</sup>

*the laundry company*<sup>®</sup>

*the laundry company*<sup>®</sup>