

Amana LWA30BL (BOM: PLWA30BL) 02 - Bearing Assy and Transmission Assy

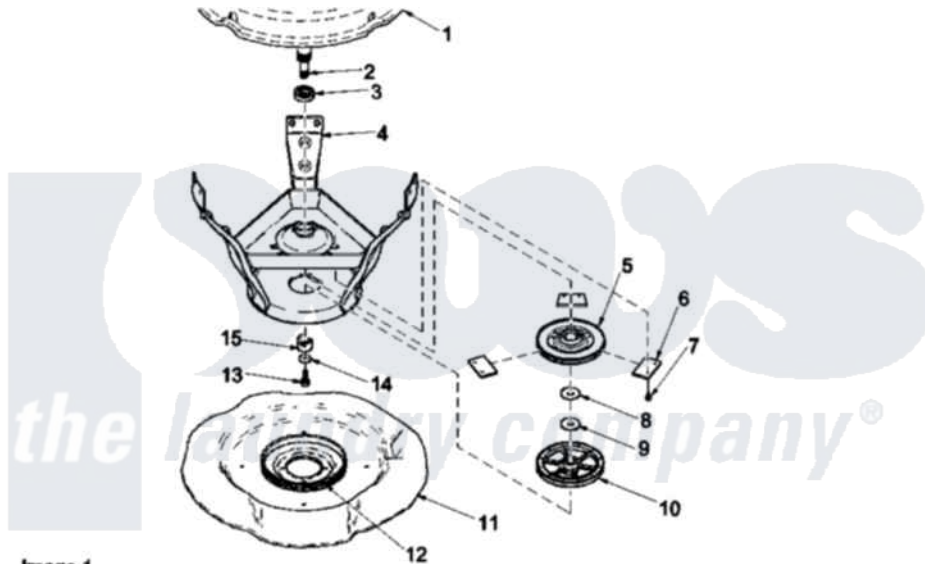
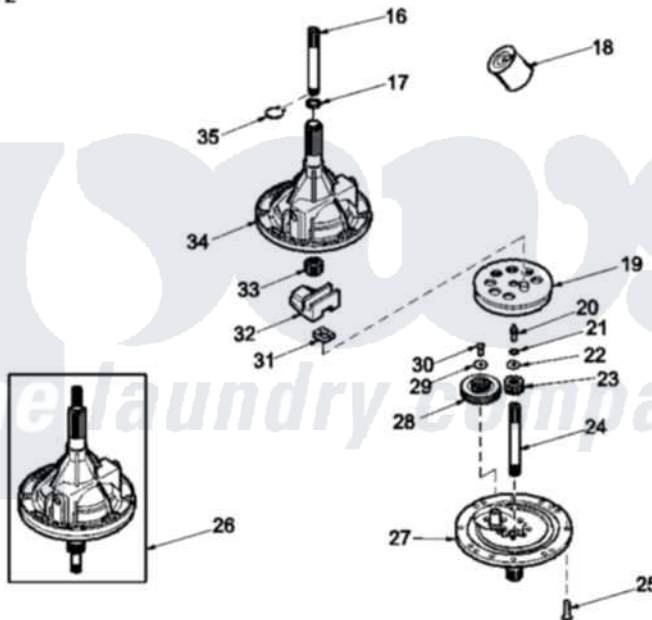


Image 1

Image 2



Amana Residential Amana LWA30BL (BOM: PLWA30BL) Washer Parts Parts Diagram 02 - Bearing Assy and Transmission Assy

[Click on the part number to view part](#)

| Item | Original Part Number | Replaced By | Status | Part Description |
|------|------------------------|--------------------------|--------|----------------------------|
| 1 | 37981P | | | Tub-Outer-Short |
| 2 | 38826P | 12002178 | | Transmison |
| 3 | 28944R | 40004001 | | Bearing, Main |
| 4 | 39254 | | | Assembly, Weld And Bearing |
| 5 | 38505 | R9900474 | | Brake Assembly |
| 6 | 637P3 | R0000014 | | Kit, Brake Pad |
| 7 | 37836 | 40064401 | | Screw |
| 8 | 35535 | 40065701 | | Washer, 2 Odx.63 ID |
| 9 | 27015 | 40063201 | | Washer, Flat |
| 10 | Y38007 | 40047202 | | Pulley, Spin |
| 11 | 37807 | 39788 | | Assembly- Base |
| 12 | 37937 | 40037401 | | Ring, Friction |
| 13 | 27220 | 40063401 | | Screw, 1/4-20 x 5/8 Hex |
| 14 | 26509 | 40041501 | | Washer |
| 15 | Y38008 | 40047402 | | Helix, Plastic |

| | | | |
|----|------------------------|--------------------------|------------------------------|
| 16 | Y36570 | | Shaft, Output |
| 17 | 35092 | | Washer, 3628id X 1.00 X .056 |
| 18 | 27243P | | Oil, CW Transmission F- |
| 19 | 26577 | | Assembly, Gear And Stud |
| 20 | 27030 | Not Available | SCREW, 1/4-20 SPECIAL |
| 21 | 21456 | | Lockwasher, 1/4 Intshkp |
| 22 | 26509 | 40041501 | Washer |
| 23 | 37406 | | Pinion, Drive |
| 24 | 38268 | | Shaft, Input |
| 25 | 32814 | Not Available | SCREW, 1/4-20X7/8 SERRA |
| 26 | Y37471 | | Assembly, Transmission Cover |
| 27 | 38826P | 12002178 | Transmison |
| 28 | 37403 | | Gear, Reduction |
| 29 | 29260 | Not Available | WASHER |
| 30 | 29273 | | Screw, 1/4-20 X 3/8 |
| 31 | Y31526 | | Rack |
| 32 | 26493 | | Slide |
| 33 | 27003 | | Pinion, Agitator |
| 34 | 33223 | Not Available | ASSY, TRANSMISSION CASE |
| 35 | 27197 | | Ring, Retaining |
| NI | 37577P | Not Available | SEALANT |

