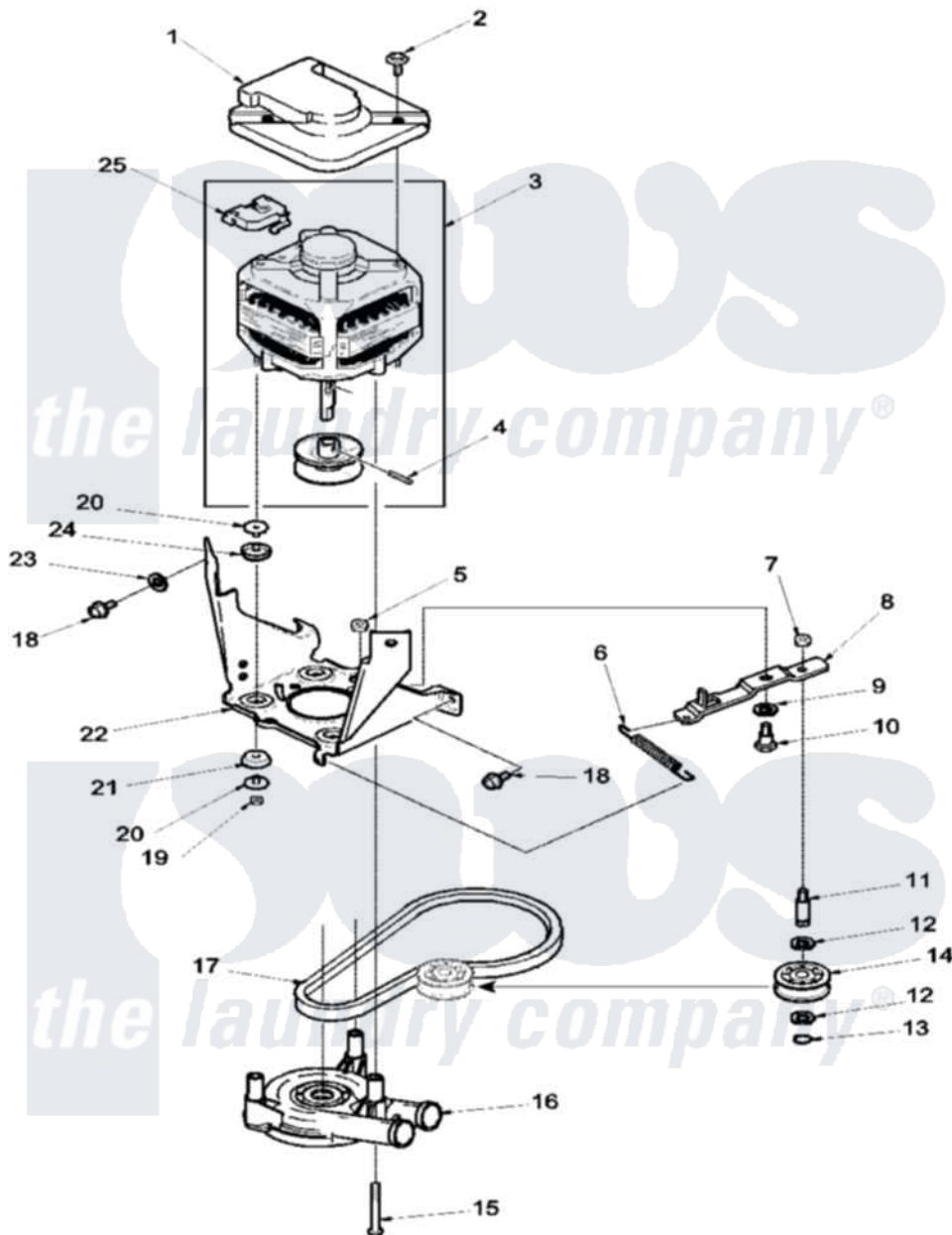


Amana LWA40AL (BOM: PLWA40AL) 09 - MOTOR, BELT, PUMP, AND IDLER ASSY



Amana Residential Amana LWA40AL (BOM: PLWA40AL) Washer Parts Parts Diagram 09 - MOTOR, BELT, PUMP, AND IDLER ASSY

[Click on the part number to view part](#)

Item	Original Part Number	Replaced By	Status	Part Description
1	34754	40112301		Shield, Motor
2	36639	4312464		Screw
3	37819	27001215		Motor W/Pulley
4	10416			Pin, Roll
5	52566	27001225		Nut, Jam Mid Lock 1/4-20
6	38012	40061401		Spring, Idler Lever
7	28803	2221070		Clamp, Nylon
8	38011	40041002		Lever, Idler
9	81392	40054701		Washer
10	27229	40038901		Screw, 1/4-20
11	38228	56461		Shaft
12	52549			Washer, 501 ID X3/4 Odx
13	23748			Ring, Retaining
14	38225	40045001		Idler Pulley Assembly
15	Y34565	40063701		Screw, 10-16 x 1.75

16	36863P	27001233	Pump
17	37820	27001007	Belt, Spin
18	35369	40128701	Screw, 5/16-18 X .50
19	35423	3400029	Nut, Adapter Plate
20	38325	40053701	Post, Isolator
21	38396	40054301	Mount, Motor Lower
22	37445	Not Available	MOTOR MOUNTING BRACKET
23	37772	Not Available	WASHER, ALUMINUM .34X
24	38395	40053801	Mount, Motor Upper
25	35632	Not Available	SWITCH, MOTOR

