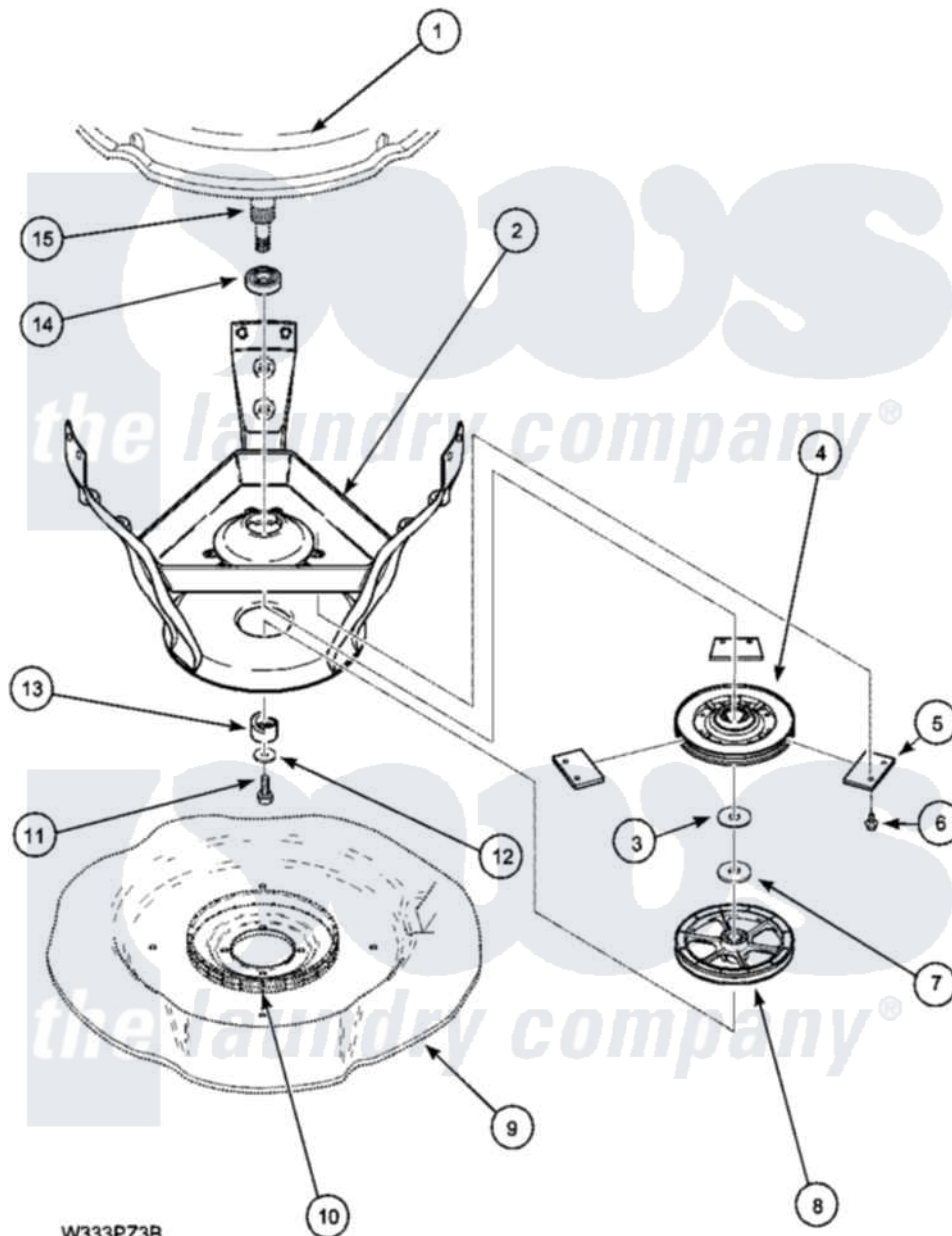


Amana LWA40AW2 (BOM: PLWA40AW2) 12 - WELDMENT/BEARING ASSY AND BRAKE/PULLEY



W333PZ3B

Amana Residential Amana LWA40AW2 (BOM: PLWA40AW2) Washer Parts Parts Diagram 12 - WELDMENT/BEARING ASSY AND BRAKE/PULLEY
 Click on the part number to view part

Item	Original Part Number	Replaced By	Status	Part Description
1	37813P			Tub, Outer-Tall
2	39253			Assembly, Weld And Bearing
3	35535	40065701		Washer, 2 Odx.63 ID
4	38505	R9900474		Brake Assembly
5	637P3	R0000014		Kit, Brake Pad
7	27015	40063201		Washer, Flat
8	Y38007	40047202		Pulley, Spin
9	37807	39788		Assembly- Base
10	37937	40037401		Ring, Friction
12	26509	40041501		Washer
13	Y38008	40047402		Helix, Plastic
14	28944R	40004001		Bearing, Main
15	38826P	12002178		Transmison