

# Amana LWA50AW (BOM: PLWA50AW) 05 - FRONT PANEL, BASE AND CABINET, AND SPECI

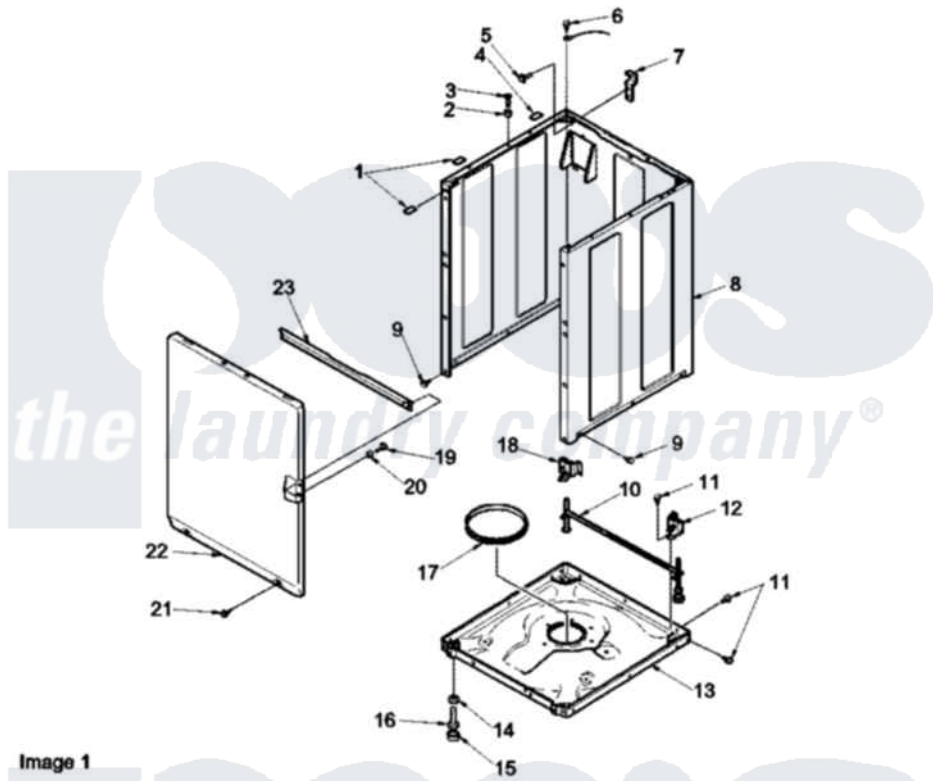


Image 1

Image 2

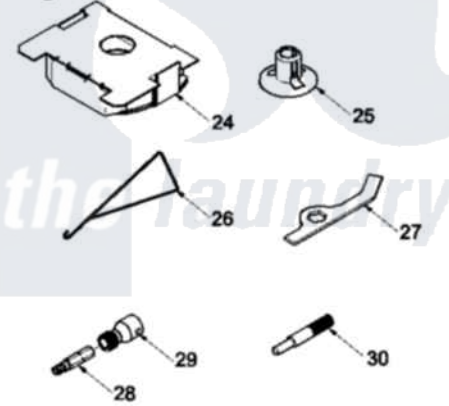
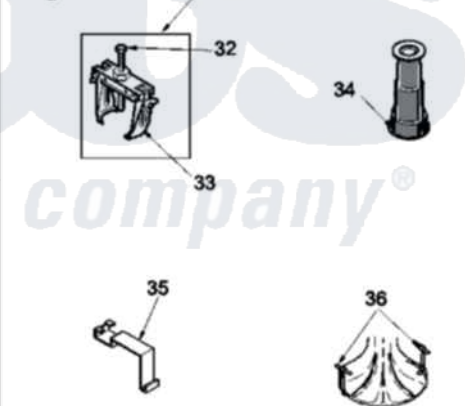


Image 3



Amana Residential Amana LWA50AW (BOM: PLWA50AW) Washer Parts Diagram 05 - FRONT PANEL, BASE AND CABINET, AND SPECI  
Click on the part number to view part

| Item | Original Part Number   | Replaced By              | Status        | Part Description              |
|------|------------------------|--------------------------|---------------|-------------------------------|
| 1    | <a href="#">Y56128</a> |                          |               | Pad, Bumper                   |
| 2    | 56079                  | <a href="#">505187</a>   |               | Locator, Panel                |
| 3    | 32671                  | <a href="#">Y014874</a>  |               | Screw, Idler Arm And Sleeve   |
| 4    | <a href="#">36226</a>  |                          |               | Pad, Bumper .25               |
| 5    | 34499                  |                          | Not Available | SCREW, No.10B X 1/4 TAP IN HX |
| 6    | 51784                  |                          | Not Available | SCREW,10B-16 X 1/2 HEX        |
| 7    | <a href="#">Y27103</a> |                          |               | Hinge, Hold-Down Lug          |
| 8    | 34475WP                | <a href="#">38612WP</a>  |               | Kit-Servic                    |
| 9    | 27196                  | <a href="#">27001200</a> |               | Screw                         |
| 10   | <a href="#">34443</a>  |                          |               | Assembly, Leg And Stabilier   |
| 11   | 35148                  |                          | Not Available | SCREW,1/4-14 X 3/8 HX HD      |
| 12   | 36036                  |                          | Not Available | BRACKET,SLL-RIGHT             |
| 13   | 37807                  | <a href="#">39788</a>    |               | Assembly- Base                |
| 14   | Y21899                 | <a href="#">40038101</a> |               | Nut, Leg                      |

|    |                        |                          |                                     |
|----|------------------------|--------------------------|-------------------------------------|
| 15 | 34318                  | <a href="#">40016001</a> | Foot, Rubber                        |
| 16 | Y34319                 | <a href="#">22003428</a> | Leg, Adjustable                     |
| 17 | 37937                  | <a href="#">40037401</a> | Ring, Friction                      |
| 18 | <a href="#">36037</a>  |                          | Bracket, SII-Left                   |
| 19 | 32671                  | <a href="#">Y014874</a>  | Screw, Idler Arm And Sleeve         |
| 20 | <a href="#">28102</a>  |                          | Locator, Panel                      |
| 21 | 38272                  | <a href="#">40034101</a> | Screw, No.12bx1/2                   |
| 22 | 38238WP                | <a href="#">38335WP</a>  | Panel Frontw/Carton                 |
| 23 | Y35097                 |                          | Not Available BRACE, FRT PNL        |
| 24 | 38039                  | <a href="#">27001185</a> | Brace- Shp                          |
| 25 | 38149                  | <a href="#">27001185</a> | Brace- Shp                          |
| 26 | 289P4                  | <a href="#">321P4</a>    | Hook, Spring                        |
| 27 | <a href="#">306P4</a>  |                          | Hex Wrench                          |
| 28 | <a href="#">282P4</a>  |                          | T25 Tamper Resistant Bit            |
| 29 | <a href="#">24161</a>  |                          | Torx Bit Holder                     |
| 30 | 305P4                  |                          | Not Available TOOL, TRANSMISSION PI |
| 31 | <a href="#">294P4</a>  |                          | Bell Tool                           |
| 32 | <a href="#">294P4B</a> |                          | Drive Bell Bolt                     |
| 33 | <a href="#">294P4A</a> |                          | Jaw, Drive Bell Tool                |
| 34 | <a href="#">293P4</a>  |                          | Seal Tool                           |
| 35 | <a href="#">273P4</a>  |                          | Tub Cover Gasket Tool               |
| 36 | <a href="#">254P4P</a> |                          | Agitator Hooks                      |
| NI | 555P3                  | <a href="#">725P3</a>    | Kit                                 |
| "  | <a href="#">38660</a>  |                          | Assembly, Wire Harness              |
| "  | <a href="#">38773</a>  |                          | Assembly, Wire Harness-Ho           |

*the laundry company®*

*the laundry company®*