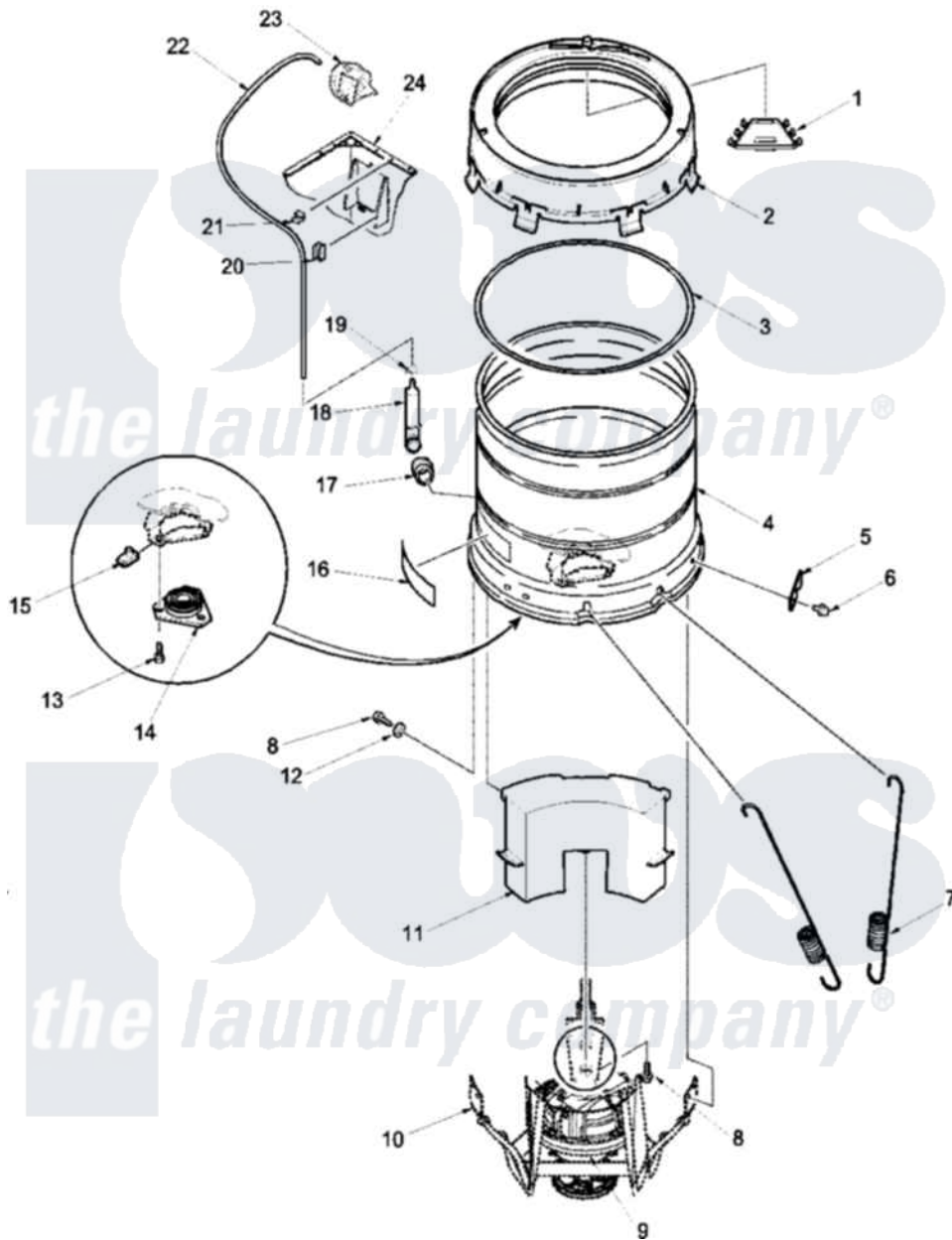


**Amana LWA50AW (BOM: PLWA50AW) 09 - OUTER TUB, COVER, PRESSURE TUBE, AND COU**



Amana Residential Amana LWA50AW (BOM: PLWA50AW) Washer Parts Parts Diagram 09 - OUTER TUB, COVER, PRESSURE TUBE, AND COU  
 Click on the part number to view part

| Item | Original Part Number   | Replaced By              | Status        | Part Description                            |
|------|------------------------|--------------------------|---------------|---------------------------------------------|
| 1    | 39079                  |                          | Not Available | CHANNEL, WATER                              |
| 2    | 37502                  | <a href="#">39169</a>    |               | Assembly Tub Cover Gasket And Channel       |
| 3    | <a href="#">38359</a>  |                          |               | Gasket, Tub Cover Large                     |
| 4    | <a href="#">37813P</a> |                          |               | Tub, Outer-Tall                             |
| 5    | <a href="#">27926</a>  |                          |               | Plate, Leg .063                             |
| 6    | 35369                  | <a href="#">40128701</a> |               | Screw, 5/16-18 X .50                        |
| 7    | 37575                  | <a href="#">40045202</a> |               | Spring, Tall Tub                            |
| 8    | 37766                  | <a href="#">40064301</a> |               | Screw, 1/4-15 x 3/4 Hex                     |
| 9    | Y00000000              |                          | Not Available | SEE NOTE SEE NOTE TRANSMISSION ASSY         |
| 10   | Y00000000              |                          | Not Available | SEE NOTE SEE NOTE WELDMENT AND BEARING ASSY |
| 11   | <a href="#">38769</a>  |                          |               | Assembly, Counterweight                     |
| 12   | 37767                  | <a href="#">60096-8</a>  |               | Rail Shelf Support                          |

|    |                       |                           |                                                       |
|----|-----------------------|---------------------------|-------------------------------------------------------|
| 13 | 36991                 | <a href="#">3400500</a>   | Bolt, 3405245 5/16-18 X 3/4                           |
| 14 | 27182                 | <a href="#">40004201P</a> | Main Bearing Assembly                                 |
| 15 | <a href="#">27222</a> |                           | Nut, Retainer 5/16-18                                 |
| 16 | 500049                |                           | Not Available<br>STICKER                              |
| 17 | 29175                 | <a href="#">40037801</a>  | Grommet                                               |
| 18 | 30907                 | <a href="#">40008501</a>  | Assembly, Pressure Bulb                               |
| 19 | Y22294                | <a href="#">596669</a>    | Clamp, Manifold                                       |
| 20 | 36985                 |                           | Not Available<br>CLIP, HOSE                           |
| 21 | <a href="#">21036</a> |                           | Clip, Cable                                           |
| 22 | 29213                 | <a href="#">39125</a>     | Tubing 31                                             |
| 23 | Y00000000             |                           | Not Available<br>SEE NOTE SEE NOTE<br>PRESSURE SWITCH |
| 24 | 34475WP               | <a href="#">38612WP</a>   | Kit-Servic                                            |

*the laundry company*<sup>®</sup>

*the laundry company*<sup>®</sup>

*the laundry company*<sup>®</sup>