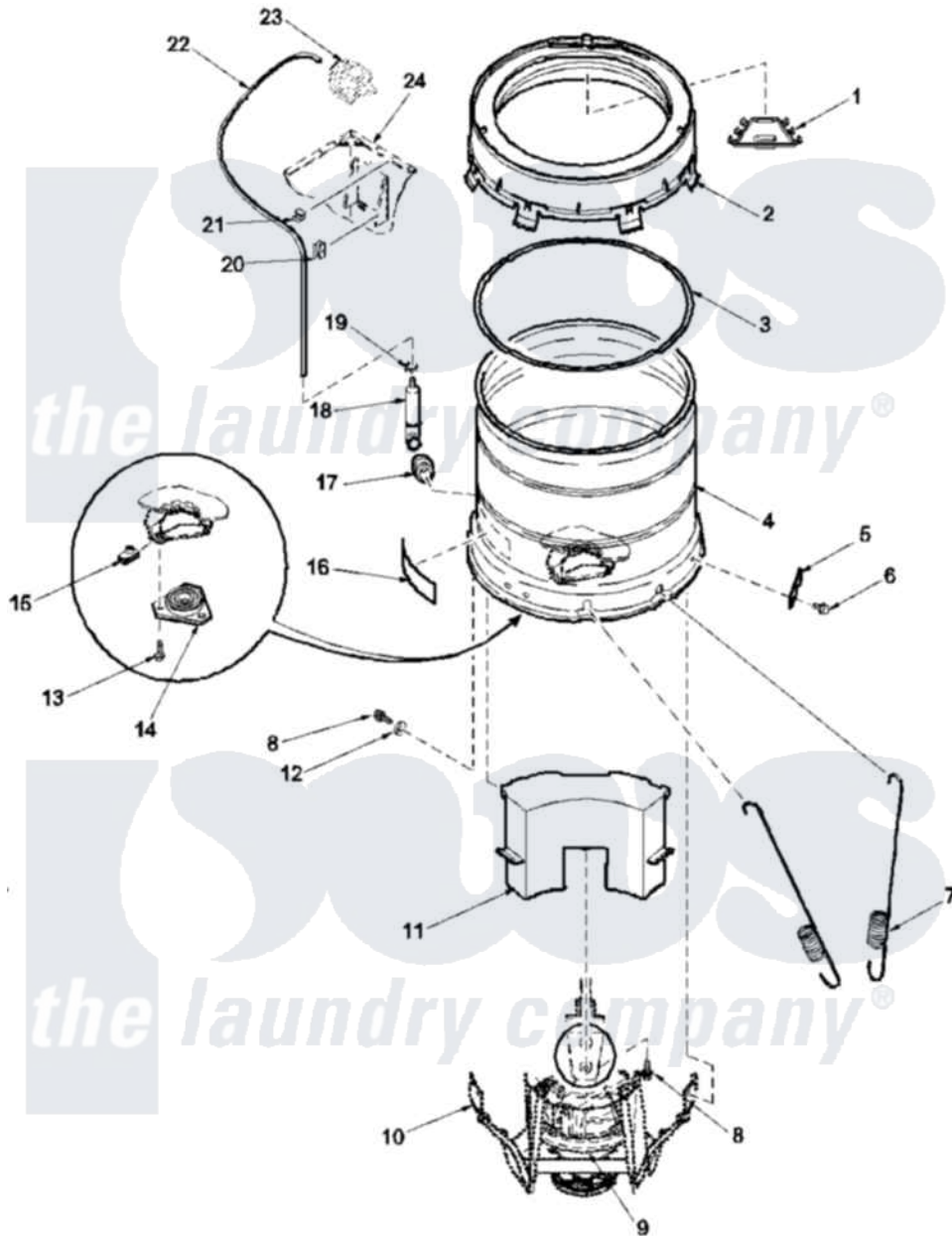


Amana LWA65AL (BOM: PLWA65AL) 10 - OUTER TUB, COVER, PRESSURE TUBE



Amana Residential Amana LWA65AL (BOM: PLWA65AL) Washer Parts Parts Diagram 10 - OUTER TUB, COVER, PRESSURE TUBE

[Click on the part number to view part](#)

Item	Original Part Number	Replaced By	Status	Part Description
1	39079		Not Available	CHANNEL, WATER
2	37502	39169		Assembly Tub Cover Gasket And Channel
3	38359			Gasket, Tub Cover Large
4	37813P			Tub, Outer-Tall
5	27926			Plate, Leg .063
6	35369	40128701		Screw, 5/16-18 X .50
7	37575	40045202		Spring, Tall Tub
8	37766	40064301		Screw, 1/4-15 x 3/4 Hex
9	38826P	12002178		Transmison
10	39253			Assembly, Weld And Bearing
11	38769			Assembly, Counterweight
12	37767	60096-8		Rail Shelf Support
13	36991	3400500		Bolt, 3405245 5/16-18 X 3/4
14	27182	40004201P		Main Bearing Assembly

15	27222		Nut, Retainer 5/16-18
16	500049		Not Available
17	29175	40037801	STICKER
18	30907	40008501	Grommet
19	Y22294	596669	Assembly, Pressure Bulb
20	36985		Clamp, Manifold
21	21036		Not Available
22	29213	39125	CLIP, HOSE
23	Y00000000		Clip, Cable
24	34475LP	38612LP	Tubing 31
			SEE NOTE SEE NOTE PRESSURE SWITCH
			Kit Service Cabinet

