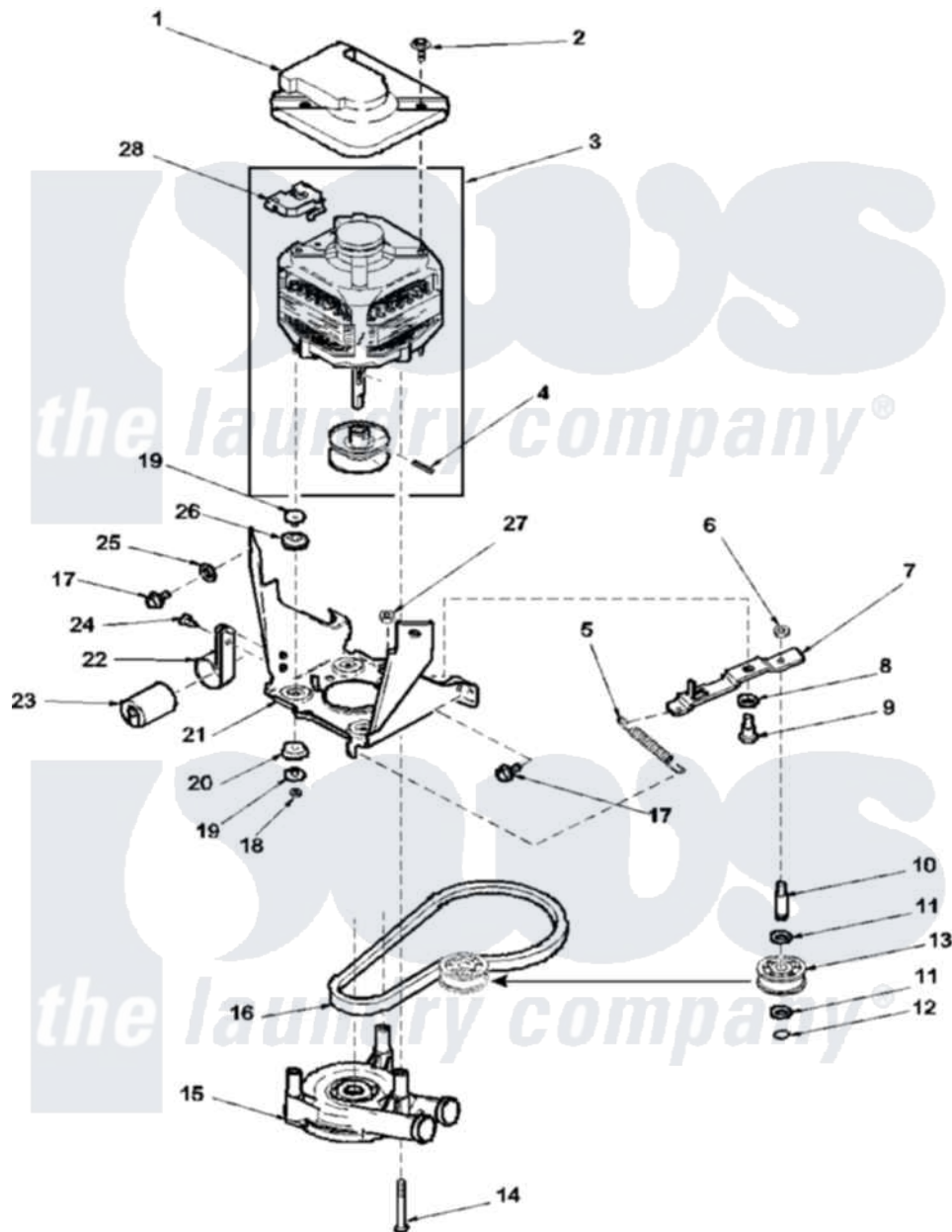


Amana LWA80AL (BOM: PLWA80AL) 09 - MOTOR, BELT, PUMP, AND IDLER ASSY



Amana Residential Amana LWA80AL (BOM: PLWA80AL) Washer Parts Parts Diagram 09 - MOTOR, BELT, PUMP, AND IDLER ASSY

[Click on the part number to view part](#)

Item	Original Part Number	Replaced By	Status	Part Description
1	34754	40112301		Shield, Motor
2	36639	4312464		Screw
3	38037	12002133		Motor-Drive
4	10416			Pin, Roll
5	38012	40061401		Spring, Idler Lever
6	28803	2221070		Clamp, Nylon
7	38011	40041002		Lever, Idler
8	81392	40054701		Washer
9	27229	40038901		Screw, 1/4-20
10	38228	56461		Shaft
11	52549			Washer, 501 ID X3/4 Odx
12	23748			Ring, Retaining
13	38225	40045001		Idler Pulley Assembly
14	Y34565	40063701		Screw, 10-16 x 1.75
15	36863P	27001233		Pump

16	38174	27001006	Belt, Spin And Agitator
17	35369	40128701	Screw, 5/16-18 X .50
18	35423	3400029	Nut, Adapter Plate
19	38325	40053701	Post, Isolator
20	38396	40054301	Mount, Motor Lower
21	37445	Not Available	MOTOR MOUNTING BRACKET
22	37535	357030	Clamp, Capacitor
23	37377	Y39661	Capacitor
24	52909		Screw, 10B-16 X 1/2 HeX
25	37772	Not Available	WASHER, ALUMINUM .34X
26	38395	40053801	Mount, Motor Upper
27	52566	27001225	Nut, Jam Mid Lock 1/4-20
28	35632	Not Available	SWITCH, MOTOR

