

# Amana LWA80AW (BOM: PLWA80AW) 02 - BEARINGS, BRAKE & PULLEY & TRANSMISSION

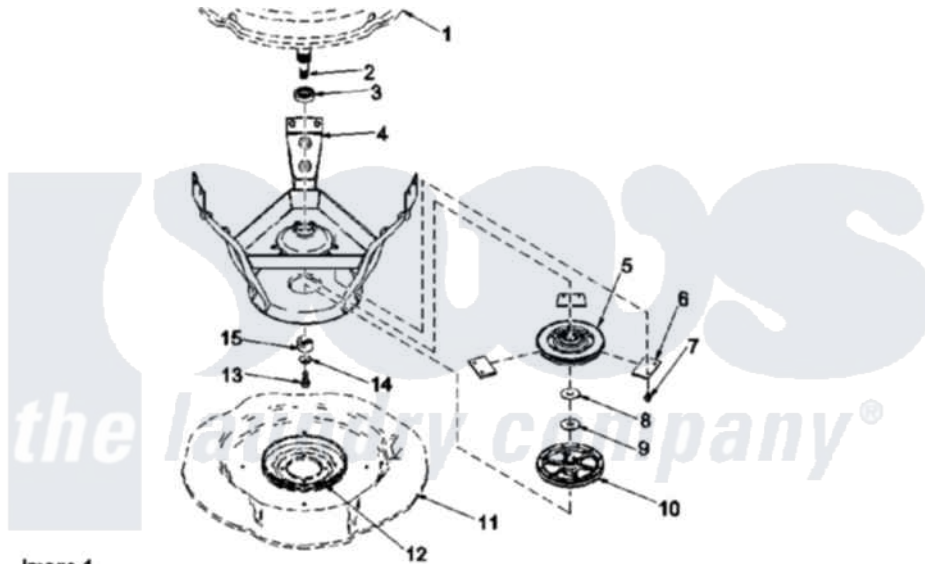
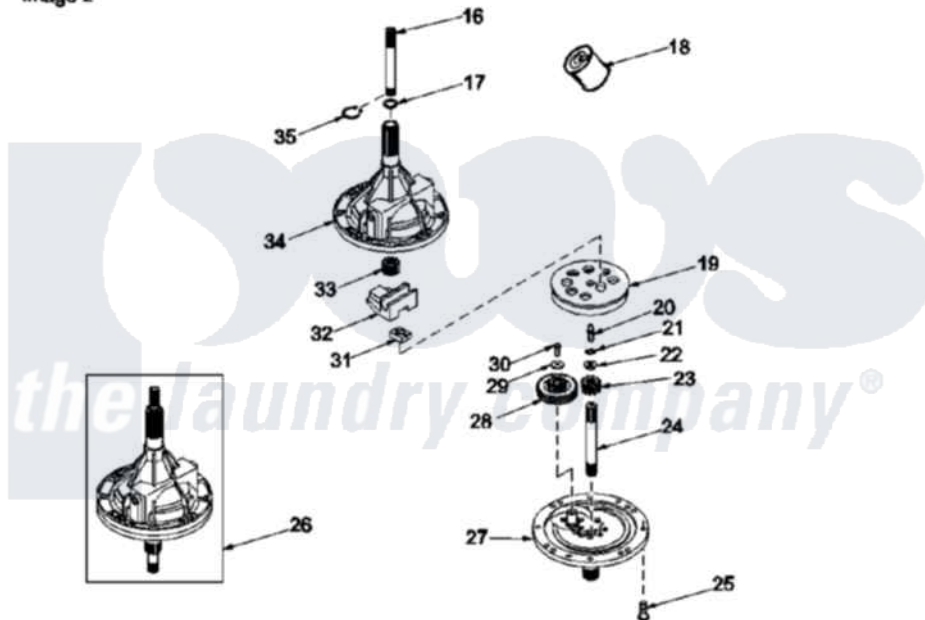


Image 1

Image 2



Amana Residential Amana LWA80AW (BOM: PLWA80AW) Washer Parts Parts Diagram 02 - BEARINGS, BRAKE & PULLEY & TRANSMISSION

[Click on the part number to view part](#)

Item	Original Part Number	Replaced By	Status	Part Description
1	<a href="#">37981P</a>			Tub-Outer-Short
2	38165P	<a href="#">12002177</a>		Transmison
3	28944R	<a href="#">40004001</a>		Bearing, Main
4	<a href="#">39253</a>			Assembly, Weld And Bearing
5	38505	<a href="#">R9900474</a>		Brake Assembly
6	637P3	<a href="#">R0000014</a>		Kit, Brake Pad
7	37836	<a href="#">40064401</a>		Screw
8	35535	<a href="#">40065701</a>		Washer, 2 Odx.63 ID
9	27015	<a href="#">40063201</a>		Washer, Flat
10	38426	<a href="#">40047102</a>		Pulley, Spin/Agit
11	37807	<a href="#">39788</a>		Assembly- Base
12	37937	<a href="#">40037401</a>		Ring, Friction
13	27220	<a href="#">40063401</a>		Screw, 1/4-20 x 5/8 Hex
14	26509	<a href="#">40041501</a>		Washer
15	Y38008	<a href="#">40047402</a>		Helix, Plastic

16	<a href="#">Y36570</a>		Shaft, Output
17	<a href="#">35092</a>		Washer, 3628id X 1.00 X .056
18	<a href="#">27243P</a>		Oil, CW Transmission F-
19	<a href="#">26577</a>		Assembly, Gear And Stud
20	27030	Not Available	SCREW, 1/4-20 SPECIAL
21	<a href="#">21456</a>		Lockwasher, 1/4 Intshkp
22	26509	<a href="#">40041501</a>	Washer
23	37405	Not Available	PINION, DRIVE
24	<a href="#">38268</a>		Shaft, Input
25	32814	Not Available	SCREW, 1/4-20X7/8 SERRA
26	38165P	<a href="#">12002177</a>	Transmison
27	<a href="#">Y37471</a>		Assembly, Transmission Cover
28	<a href="#">37404</a>		Gear, Reduction
29	29260	Not Available	WASHER
30	<a href="#">29273</a>		Screw, 1/4-20 X 3/8
31	<a href="#">Y31526</a>		Rack
32	<a href="#">26493</a>		Slide
33	<a href="#">27003</a>		Pinion, Agitator
34	33223	Not Available	ASSY, TRANSMISSION CASE
35	<a href="#">27197</a>		Ring, Retaining
NI	37577P	Not Available	SEALANT

