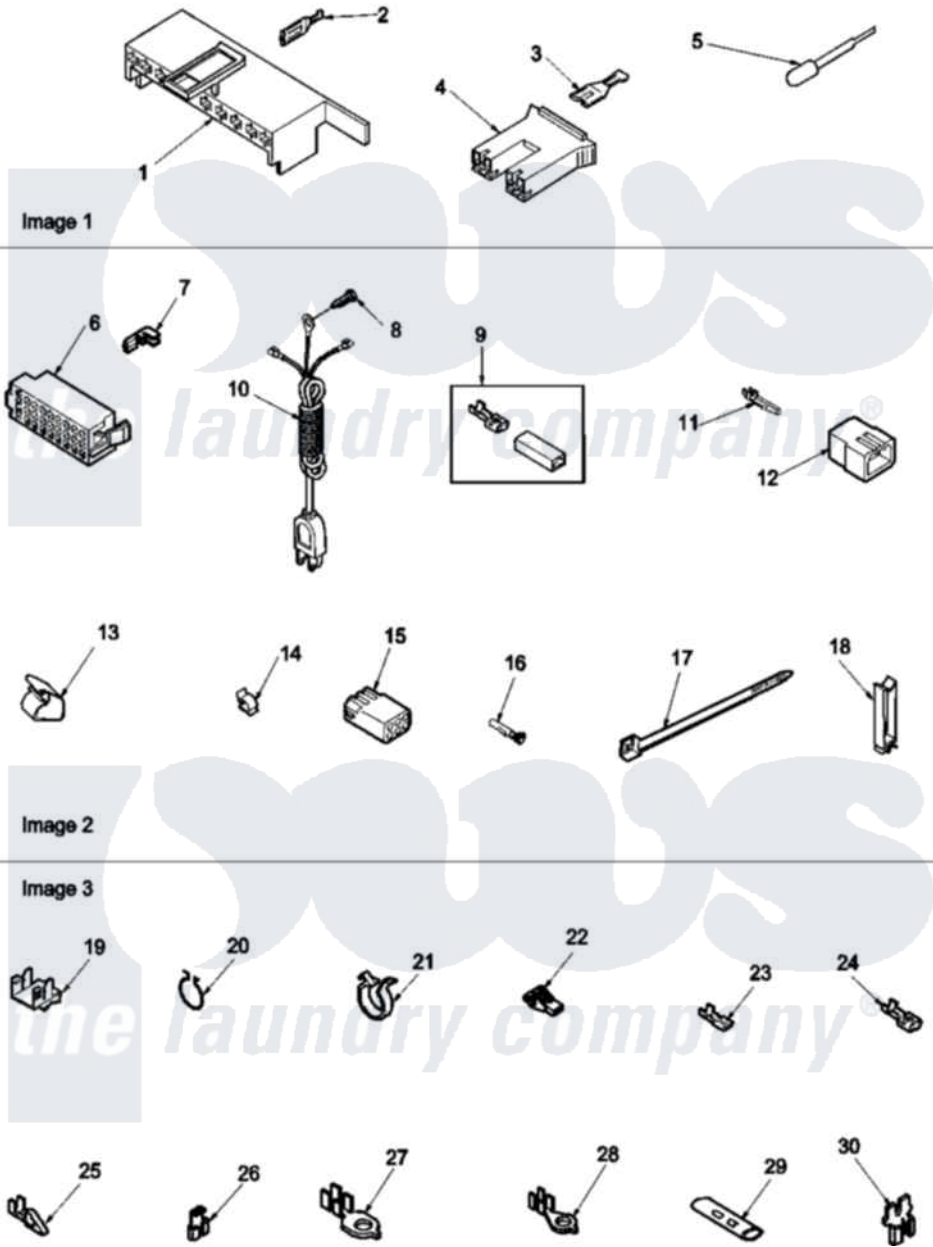


Amana LWC90AW (BOM: PLWC90AW) 04 - CONNECTION BLOCKS AND EXTRACTOR TOOL



Amana Residential Amana LWC90AW (BOM: PLWC90AW) Washer Parts Parts Diagram 04 - CONNECTION BLOCKS AND EXTRACTOR TOOL
 Click on the part number to view part

Item	Original Part Number	Replaced By	Status	Part Description
1	34677			10 Circuit Plug
2	Y00188			Molex Terminal
3	Y00121		Not Available	SPADE TERMINAL(12 GAUGE) (1/4 INCH-(2) 18 GAUGE WIRES O
4	34675		Not Available	PLUG
"	34676			Plug
5	283P4			Terminal Extractor Tool
6	34123			Housing, LH -24 Position
"	32746			Housing, RH-24 Positi
7	Y00188			Molex Terminal
8	52909			Screw, 10B-16 X 1/2 HeX
9	00234	00359		Terminal Ultra Pod 250 X032F
10	33559		Not Available	POWER CORD
11	Y00116			Terminal, Pin-Male

12	23041		Plug, 6 Circuit
"	26302	Not Available	PLUG,1 CIRCUIT
"	23033		Plug, 9 Circuit
13	35521	Not Available	CLIP,HARNESS HOLDER
14	21036		Clip, Cable
15	26708		Receptacle, 6 Circuit
"	26301		Receptacle, Molex
"	26163		Receptacle, 9 Circuit
16	Y00117	5011-XX	093 Female Socket
17	36466	M0321209	Tie-Electrical
18	36274	Not Available	CLIP, HARNESS
19	Y00161	B5733302	Clip, Ground
20	51291		Clip, Wire
21	504034		Clip, Wire
22	70210	Not Available	INSULATOR,BLUE
23	00112		Terminal, Spade-3/16 Fe
24	Y00119	Not Available	SPADE TERMINAL(18 GAUGE) (1/4 INCH-(1) 18 GAUGE WIRE)
25	00220	Not Available	TERMINAL,CRIMP-SINGLE
26	Y00120		Terminal, Flag-1/4 Fema
27	Y00113	Not Available	TERMINAL,RING-1/4 STUD
28	00110		No.10 18 Gauge Wire
29	21091	Not Available	CONNECTOR TWO 1/4 INCH MALE
30	29673	Not Available	DOUBLE CONNECTOR

