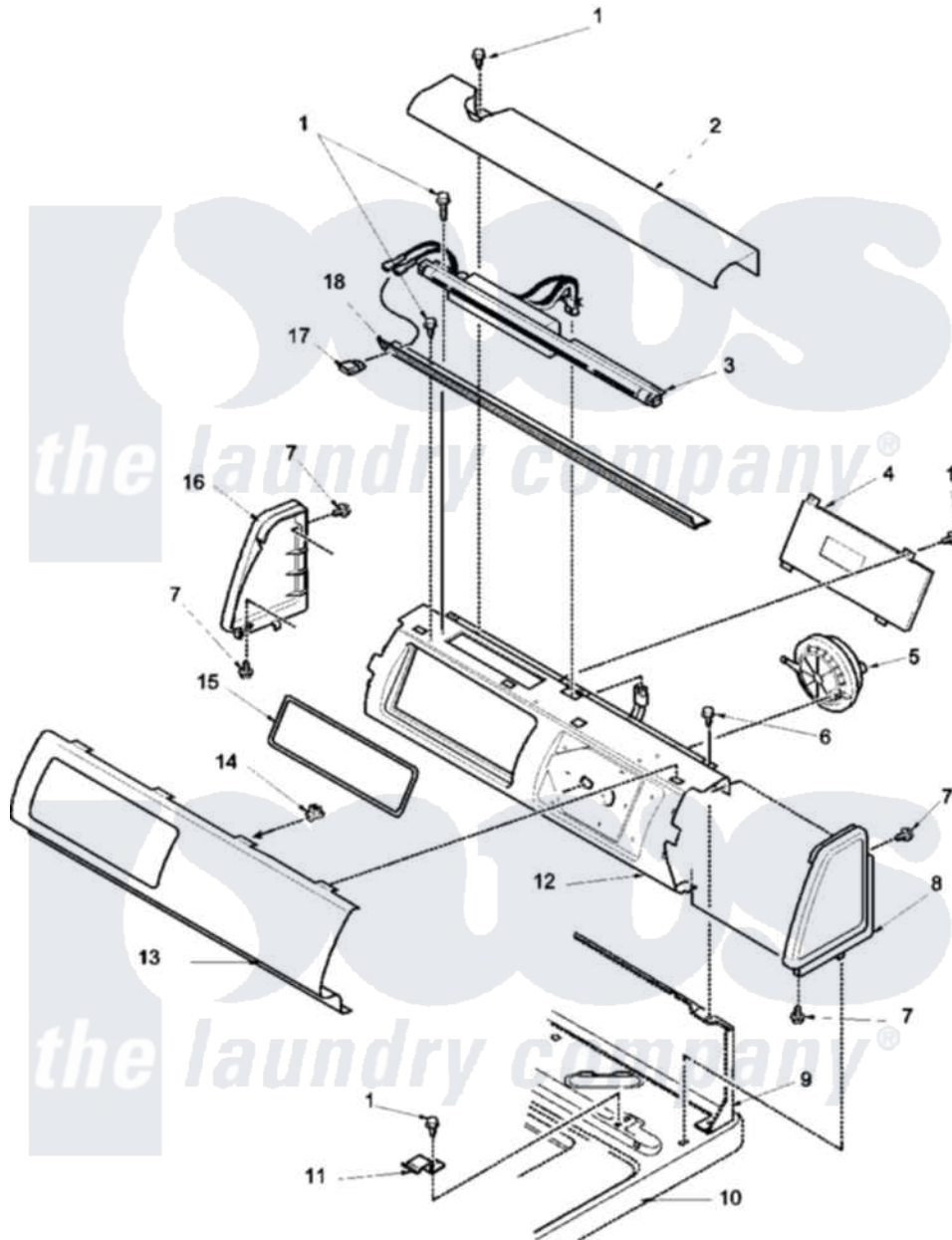


# Amana LWC90AW (BOM: PLWC90AW) 05 - CONTROL PANEL



Amana Residential Amana LWC90AW (BOM: PLWC90AW) Washer Parts Parts Diagram 05 - CONTROL PANEL  
 Click on the part number to view part

| Item | Original Part Number    | Replaced By               | Status        | Part Description                        |
|------|-------------------------|---------------------------|---------------|---|
| 1    | 23962                   | <a href="#">W10116760</a> |               | Screw                                   |
| 2    | 34824W                  |                           | Not Available | COVER, TOP (COMPUTOR)                   |
| 3    | <a href="#">34836</a>   |                           |               | Assembly, Fluorescent Light             |
| 4    | 38816W                  | <a href="#">38816WP</a>   |               | Assembly- Elec                          |
| 5    | 36136                   | <a href="#">39078</a>     |               | Switch- Pr                              |
| 6    | 34904                   | <a href="#">489355</a>    |               | Screw, 8 X 1/2                          |
| 7    | 501086                  | <a href="#">90767</a>     |               | Screw, 8A X 3/8 HeX Washer Head Tapping |
| 8    | 34817W                  |                           | Not Available | PANEL,END-RH                            |
| 9    | <a href="#">37782</a>   |                           |               | Control Hood Back Panel                 |
| 10   | <a href="#">37992WP</a> |                           |               | Top, Home W/Bleach                      |
| 11   | 35887                   | <a href="#">40063901</a>  |               | Clip, Hold Down                         |
| 12   | 34822                   |                           | Not Available | NO LONGER AVAILABLE                     |
| 13   | <a href="#">35312W</a>  |                           |               | Panel, Graphic-Amana                    |
| 14   | Y00161                  | <a href="#">B5733302</a>  |               | Clip, Ground                            |
| 15   | <a href="#">35114</a>   |                           |               | Gasket, Electronic Control              |
| 16   | 34818W                  |                           | Not Available | PANEL,END-LH                            |

|    |                        |               |                      |
|----|------------------------|---------------|----------------------|
| 17 | <a href="#">38424W</a> |               | Switch, Rocker       |
| 18 | <a href="#">34829</a>  |               | Diffuser, Lamp-Clear |
| NI | 34837                  | Not Available | BULB,FLUORESCENT     |
| "  | 34841                  | Not Available | STARTER,FLUORESCENT  |

