

Amana LWD27BW (BOM: PLWD27BW) 06 - FRONT PANEL, BASE, AND SPECIAL TOOLS

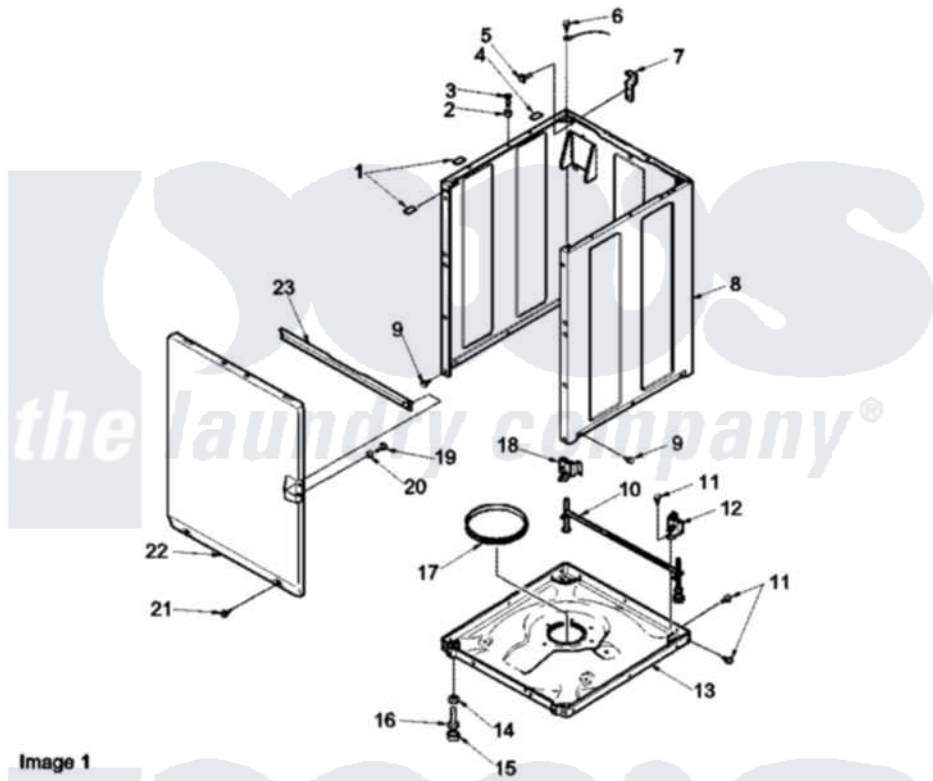


Image 1

Image 2

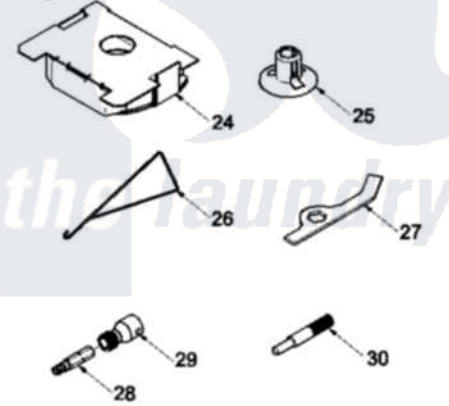
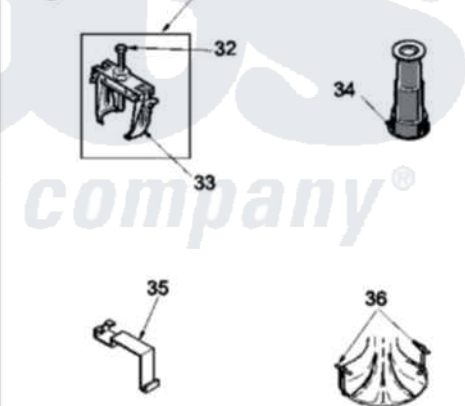


Image 3



Amana Residential Amana LWD27BW (BOM: PLWD27BW) Washer Parts Diagram 06 - FRONT PANEL, BASE, AND SPECIAL TOOLS

[Click on the part number to view part](#)

Item	Original Part Number	Replaced By	Status	Part Description
1	Y56128			Pad, Bumper
2	56079	505187		Locator, Panel
3	32671	Y014874		Screw, Idler Arm And Sleeve
4	36226			Pad, Bumper .25
5	34499		Not Available	SCREW, No.10B X 1/4 TAP IN HX
6	51784		Not Available	SCREW,10B-16 X 1/2 HEX
7	Y27103			Hinge, Hold-Down Lug
8	34475WP	38612WP		Kit-Servic
9	27196	27001200		Screw
10	34443			Assembly, Leg And Stabilier
11	35148		Not Available	SCREW,1/4-14 X 3/8 HX HD
12	36036		Not Available	BRACKET,SLL-RIGHT
13	37807	39788		Assembly- Base
14	Y34319	22003428		Leg, Adjustable

15	Y21899	40038101	Nut, Leg
16	34318	40016001	Foot, Rubber
17	37937	40037401	Ring, Friction
18	36037		Bracket, SII-Left
19	32671	Y014874	Screw, Idler Arm And Sleeve
20	28102		Locator, Panel
21	38272	40034101	Screw, No.12bx1/2
22	38238WP	38335WP	Panel Frontw/Carton
23	Y35097		Not Available BRACE, FRT PNL
24	38039	27001185	Brace- Shp
25	38149	27001185	Brace- Shp
26	289P4	321P4	Hook, Spring
27	306P4		Hex Wrench
28	282P4		T25 Tamper Resistant Bit
29	24161		Torx Bit Holder
30	305P4		Not Available TOOL, TRANSMISSION PI
31	294P4		Bell Tool
32	294P4B		Drive Bell Bolt
33	294P4A		Jaw, Drive Bell Tool
34	293P4		Seal Tool
35	273P4		Tub Cover Gasket Tool
36	254P4P		Agitator Hooks
NI	555P3	725P3	Kit
"	38651		Assembly, Wire Harness-Hood
"	38660		Assembly, Wire Harness

the laundry company[®]

the laundry company[®]