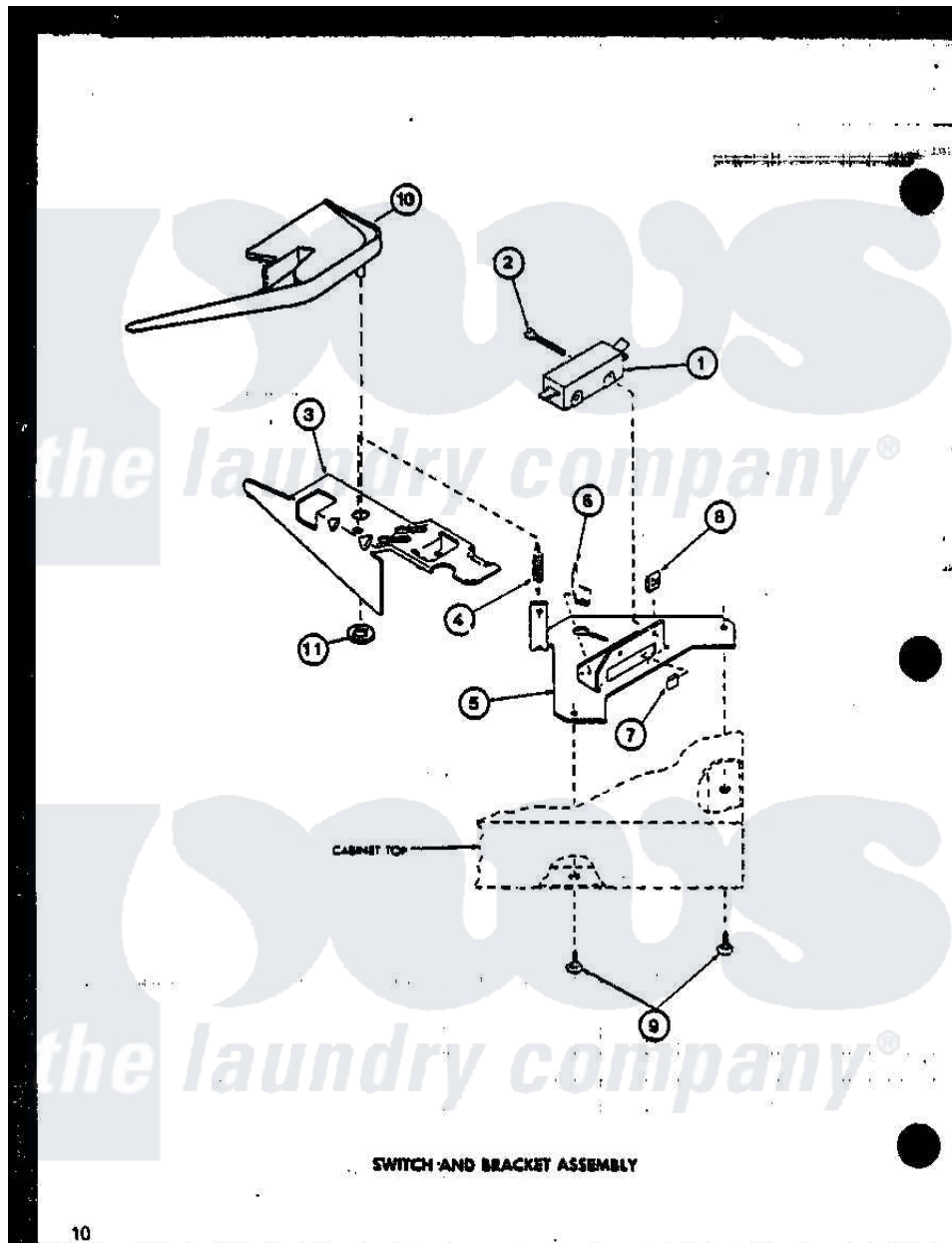


Amana LWD353 (BOM: P1110508W W) 10 - SWITCH AND BRACKET ASSY



SWITCH AND BRACKET ASSEMBLY

10

Amana [Residential Amana LWD353 \(BOM: P1110508W W\) Washer Parts](#) Parts Diagram 10 - SWITCH AND BRACKET ASSY

[Click on the part number to view part](#)

Item	Original Part Number	Replaced By	Status	Part Description
1	R0602507	<a href="#">27612</a>		Switch, Lid
2	R0600011		Not Available	SCREW
3	R0605504	<a href="#">27602</a>		Lever, Out-Of-Bal Switch
4	R0605506		Not Available	SPRING
5	R0605505		Not Available	BRACKET
6	R0601503		Not Available	U-CLIP
7	R0601504	<a href="#">27610</a>		Clip, U
8	R0601006		Not Available	NUT
9	R0600012	<a href="#">489464</a>		Screw
10	R0605671		Not Available	SWITCH SHIELD
11	R0601032	<a href="#">29043</a>		Nut, Push
NI	R0603601		Not Available	ENCLOSURE, LID SWITCH