

**Amana LWD70AW (BOM: PLWD70AW) 07 - MIXING VALVE AND HOSE(INLET, FILLER, AND**

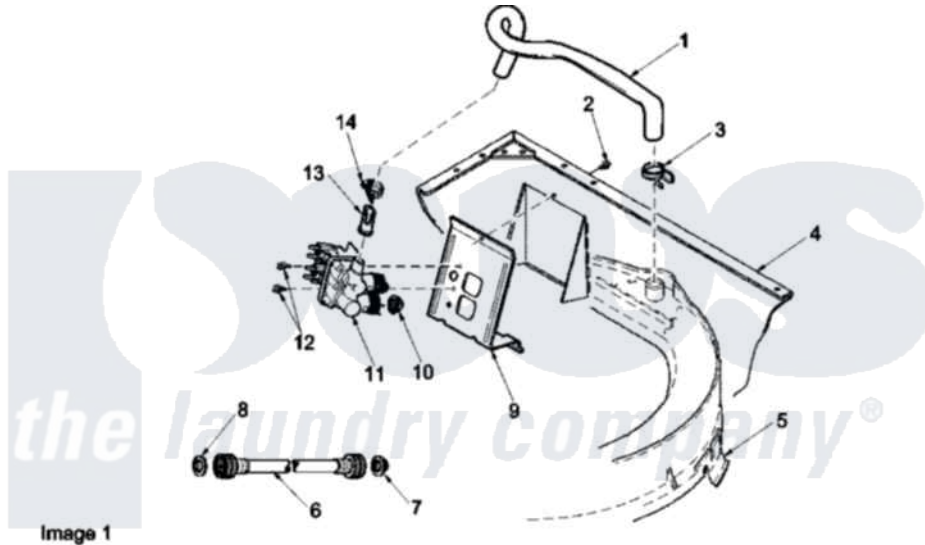


Image 1

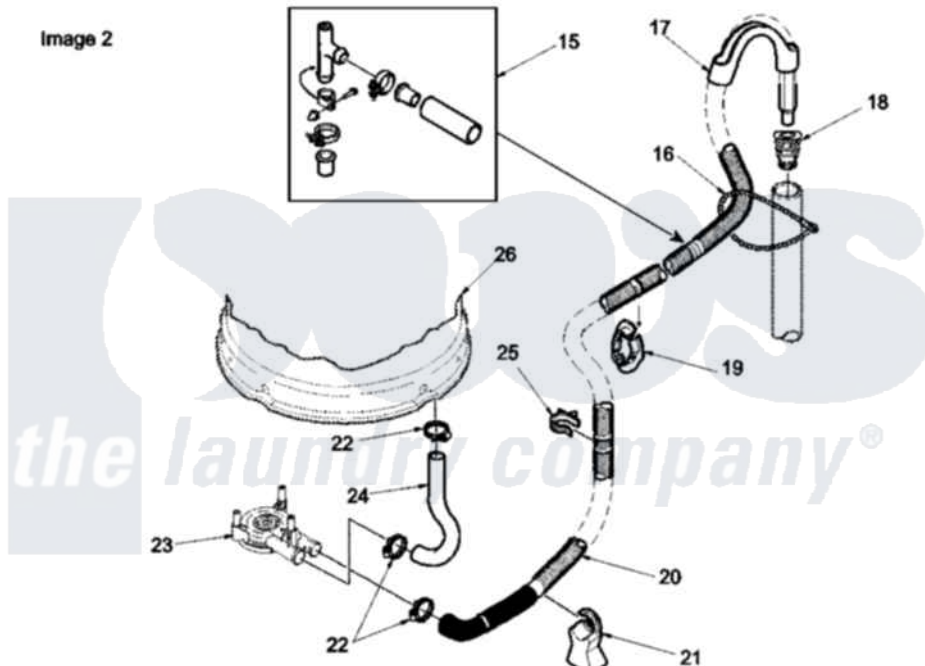


Image 2

Amana [Residential Amana LWD70AW \(BOM: PLWD70AW\) Washer Parts](#) Parts Diagram 07 - MIXING VALVE AND HOSE(INLET, FILLER, AND  
 Click on the part number to view part

Item	Original Part Number	Replaced By	Status	Part Description
1	<a href="#">38155</a>			Hose, Mix Valve To TU
2	503661	<a href="#">27001200</a>		Screw
3	<a href="#">29210</a>			Hose Clamp
4	34475WP	<a href="#">38612WP</a>		Kit-Service
5	37502	<a href="#">39169</a>		Assembly Tub Cover Gasket And Channel
6	28330P	<a href="#">202860</a>		Inlet Hose Assembly
"	20617		Not Available	HOSE, INLET (8 FT)
"	20618	<a href="#">21001467</a>		Hose- 10'
7	28605	<a href="#">22002960</a>		Strainer, Washer Inlet
8	20290	<a href="#">Y013783</a>		Washer, Inlet Hose
9	34972	<a href="#">39407</a>		Bracket, Valve
10	24122	<a href="#">22002960</a>		Strainer, Washer Inlet
11	38495	<a href="#">R0131578</a>		Valve-Inlet
12	501086	<a href="#">00767</a>		Screw, 8A X 3/8 HeX Washer

12	301000	<a href="#">30707</a>		Head Tapping
13	34500	<a href="#">22001900</a>		Preventer, Back Flow
14	36801	<a href="#">596669</a>		Clamp, Manifold
15	562P3	<a href="#">76660</a>		Break-Sphn
16	33489	<a href="#">8539404</a>		Tie-Wire
17	33615	<a href="#">22003814</a>		Retainer, Drain Hose
18	36878	<a href="#">40008101</a>		Adapter, Standpipe
19	<a href="#">32219</a>			Relief, Strain
20	38062	<a href="#">40053901</a>		Hose, Drain
21	38732	<a href="#">40044901</a>		Stand, Hose
22	36802	<a href="#">285655</a>		Clamp, Hose
23	Y00000000		Not Available	SEE NOTE SEE NOTE PUMP ASSEMBLY
24	38351	<a href="#">40094201</a>		Hose, Tub To Pump
25	<a href="#">36014</a>			Clip, Retainer-Hose
26	Y00000000		Not Available	SEE NOTE SEE NOTE OUTER TUB

