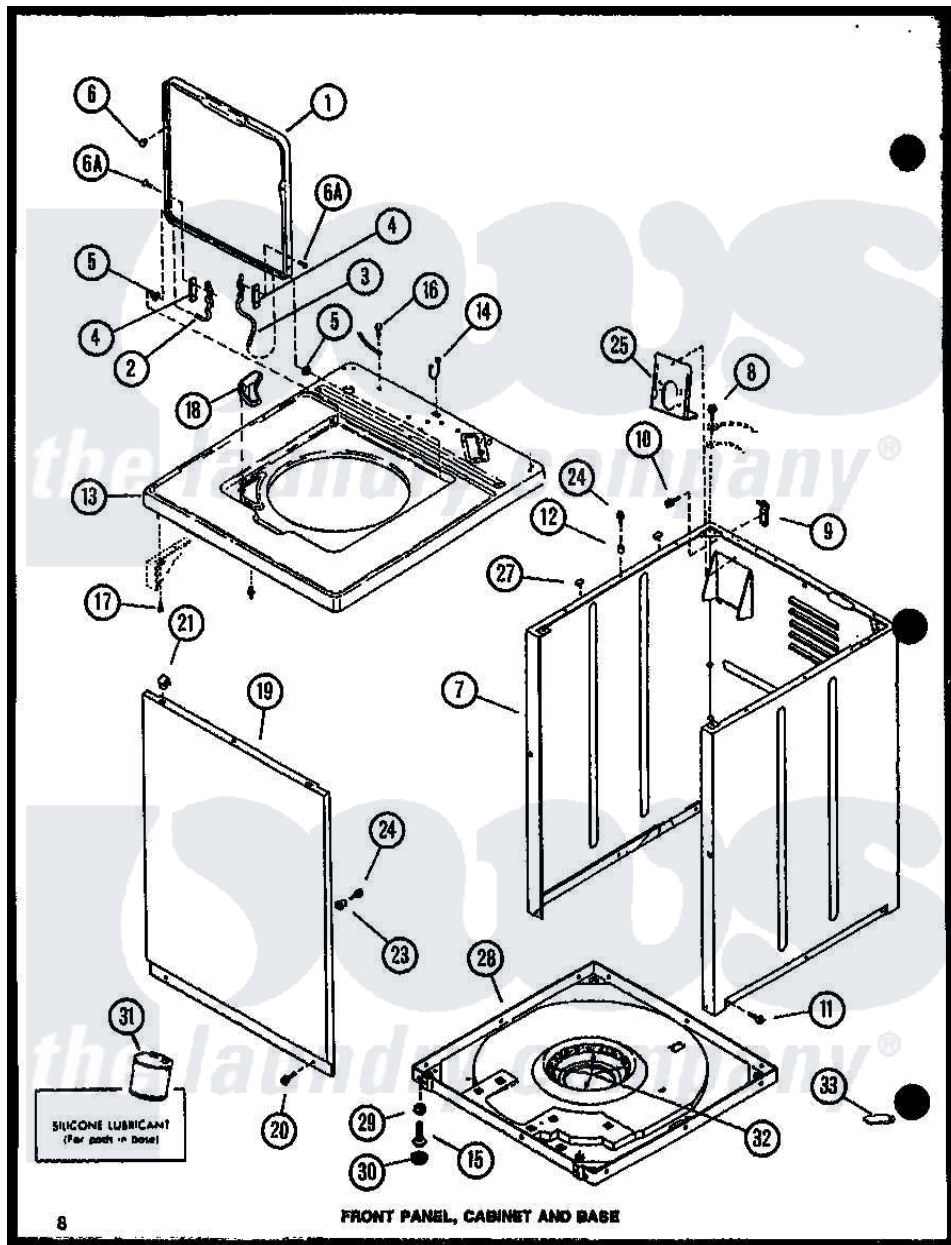


Amana LWD773W (BOM: P1122801W W) 02 - FRONT PANEL



Amana Residential Amana LWD773W (BOM: P1122801W W) Washer Parts Parts Diagram 02 - FRONT PANEL
 Click on the part number to view part

| Item | Original Part Number | Replaced By | Status | Part Description |
|------|----------------------|---------------------------|---------------|---------------------------|
| 1 | R0603232 | 33541WP | | Lid, W/Instructions |
| " | R0603233 | 33541LP | | Lid, W/Instructions |
| 2 | R0605724 | 36438 | | Hinge, Lid Left |
| 3 | R0605725 | 36437 | | Hinge, Lid R |
| 4 | R0604522 | | Not Available | GASKET |
| 5 | R0603609 | 40008201 | | Bushing, Hinge |
| 6 | R0600107 | W10119828 | | Screw, Lid Hinge Mounting |
| " | R0606555 | 40038001 | | Bumper |
| 7 | R0603090 | 38612LP | | Kit Service Cabinet |
| " | R0603091 | 38612WP | | Kit-Servic |
| 8 | R0600009 | | Not Available | SCREW |
| 9 | R0605528 | Y27103 | | Hinge, Hold-Down Lug |
| 10 | R0600032 | 3390631 | | Screw, 10-16 X 3/8 |
| 11 | R0600029 | 27001200 | | Screw |
| 12 | R0603524 | 505187 | | Locator, Panel |
| 13 | R0603235 | | Not Available | TOP CABINET W |

| | | | | |
|----|----------|--------------------------|---------------|---|
| " | R0603236 | | Not Available | TOP CABINET L |
| 14 | R0601502 | 211881 | | Grommet, Cord Part Not Used- Gas Models Only |
| 15 | R0600030 | 22003428 | | Leg, Adjustable |
| 16 | R0600040 | | Not Available | SCREW |
| 17 | R0600096 | | Not Available | SCREW |
| 18 | R0603610 | | Not Available | DISPENSER, BLEACH |
| 19 | R0603051 | | Not Available | FRONT PANEL H GOLD |
| " | R0603052 | 32708LP | | Panel, Front |
| " | R0603116 | 32708WP | | Panel Front |
| 20 | R0600029 | 27001200 | | Screw |
| 21 | R0601520 | 22001650 | | Fastener, Spring |
| 23 | R0603525 | | Not Available | LOCATER LUG |
| 24 | R0600102 | Y014874 | | Screw, Idler Arm And Sleeve |
| 25 | R0605726 | 39407 | | Bracket, Valve |
| 27 | R0606519 | Y56128 | | Pad, Bumper |
| 28 | R0603107 | 31653P | | Assembly, Base-Complete- G90 |
| 29 | R0601016 | 40038101 | | Nut, Leg |
| 30 | R0606518 | 40016001 | | Foot, Rubber |
| 31 | R0608002 | 26594P | | Grease, Silicone - 2 Oz Tube |
| 32 | R0610052 | | Not Available | SNUBBER PAD |
| 33 | R0608012 | 511637P | | Adh Dow 737 Clr 3 Oz Tube |

