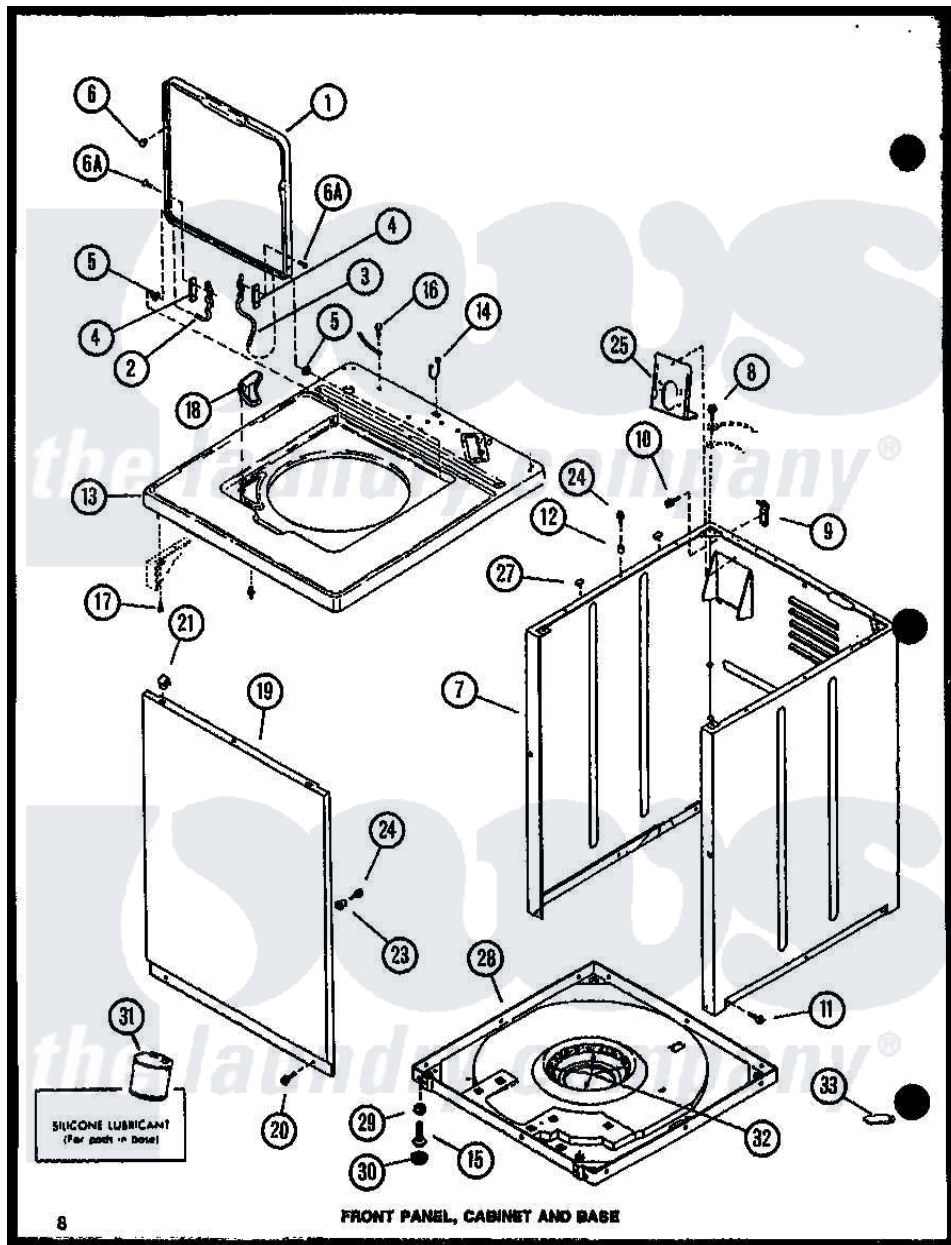


# Amana LWD973L (BOM: P1122804W L) 02 - FRONT PANEL



Amana [Residential Amana LWD973L \(BOM: P1122804W L\) Washer Parts](#) Parts Diagram 02 - FRONT PANEL

[Click on the part number to view part](#)

| Item | Original Part Number | Replaced By               | Status        | Part Description          |
|------|----------------------|---------------------------|---------------|---------------------------|
| 1    | R0603232             | <a href="#">33541WP</a>   |               | Lid, W/Instructions       |
| "    | R0603233             | <a href="#">33541LP</a>   |               | Lid, W/Instructions       |
| 2    | R0605724             | <a href="#">36438</a>     |               | Hinge, Lid Left           |
| 3    | R0605725             | <a href="#">36437</a>     |               | Hinge, Lid R              |
| 4    | R0604522             |                           | Not Available | GASKET                    |
| 5    | R0603609             | <a href="#">40008201</a>  |               | Bushing, Hinge            |
| 6    | R0600107             | <a href="#">W10119828</a> |               | Screw, Lid Hinge Mounting |
| "    | R0606555             | <a href="#">40038001</a>  |               | Bumper                    |
| 7    | R0603090             | <a href="#">38612LP</a>   |               | Kit Service Cabinet       |
| "    | R0603091             | <a href="#">38612WP</a>   |               | Kit-Servic                |
| 8    | R0600009             |                           | Not Available | SCREW                     |
| 9    | R0605528             | <a href="#">Y27103</a>    |               | Hinge, Hold-Down Lug      |
| 10   | R0600032             | <a href="#">3390631</a>   |               | Screw, 10-16 X 3/8        |
| 11   | R0600029             | <a href="#">27001200</a>  |               | Screw                     |
| 12   | R0603524             | <a href="#">505187</a>    |               | Locator, Panel            |
| 13   | R0603235             |                           | Not Available | TOP CABINET W             |

|    |          |                          |               |   |
|----|----------|--------------------------|---------------|---|
| "  | R0603236 |                          | Not Available | TOP CABINET L                                   |
| 14 | R0601502 | <a href="#">211881</a>   |               | Grommet, Cord Part Not Used-<br>Gas Models Only |
| 15 | R0600030 | <a href="#">22003428</a> |               | Leg, Adjustable                                 |
| 16 | R0600040 |                          | Not Available | SCREW   |
| 17 | R0600096 |                          | Not Available | SCREW   |
| 18 | R0603610 |                          | Not Available | DISPENSER, BLEACH                               |
| 19 | R0603051 |                          | Not Available | FRONT PANEL H GOLD                              |
| "  | R0603052 | <a href="#">32708LP</a>  |               | Panel, Front                                    |
| "  | R0603116 | <a href="#">32708WP</a>  |               | Panel Front                                     |
| 20 | R0600029 | <a href="#">27001200</a> |               | Screw   |
| 21 | R0601520 | <a href="#">22001650</a> |               | Fastener, Spring                                |
| 23 | R0603525 |                          | Not Available | LOCATER LUG                                     |
| 24 | R0600102 | <a href="#">Y014874</a>  |               | Screw, Idler Arm And Sleeve                     |
| 25 | R0605726 | <a href="#">39407</a>    |               | Bracket, Valve                                  |
| 27 | R0606519 | <a href="#">Y56128</a>   |               | Pad, Bumper                                     |
| 28 | R0603107 | <a href="#">31653P</a>   |               | Assembly, Base-Complete-<br>G90                 |
| 29 | R0601016 | <a href="#">40038101</a> |               | Nut, Leg  |
| 30 | R0606518 | <a href="#">40016001</a> |               | Foot, Rubber                                    |
| 31 | R0608002 | <a href="#">26594P</a>   |               | Grease, Silicone - 2 Oz Tube                    |
| 32 | R0610052 |                          | Not Available | SNUBBER PAD                                     |
| 33 | R0608012 | <a href="#">511637P</a>  |               | Adh Dow 737 Clr 3 Oz Tube                       |

