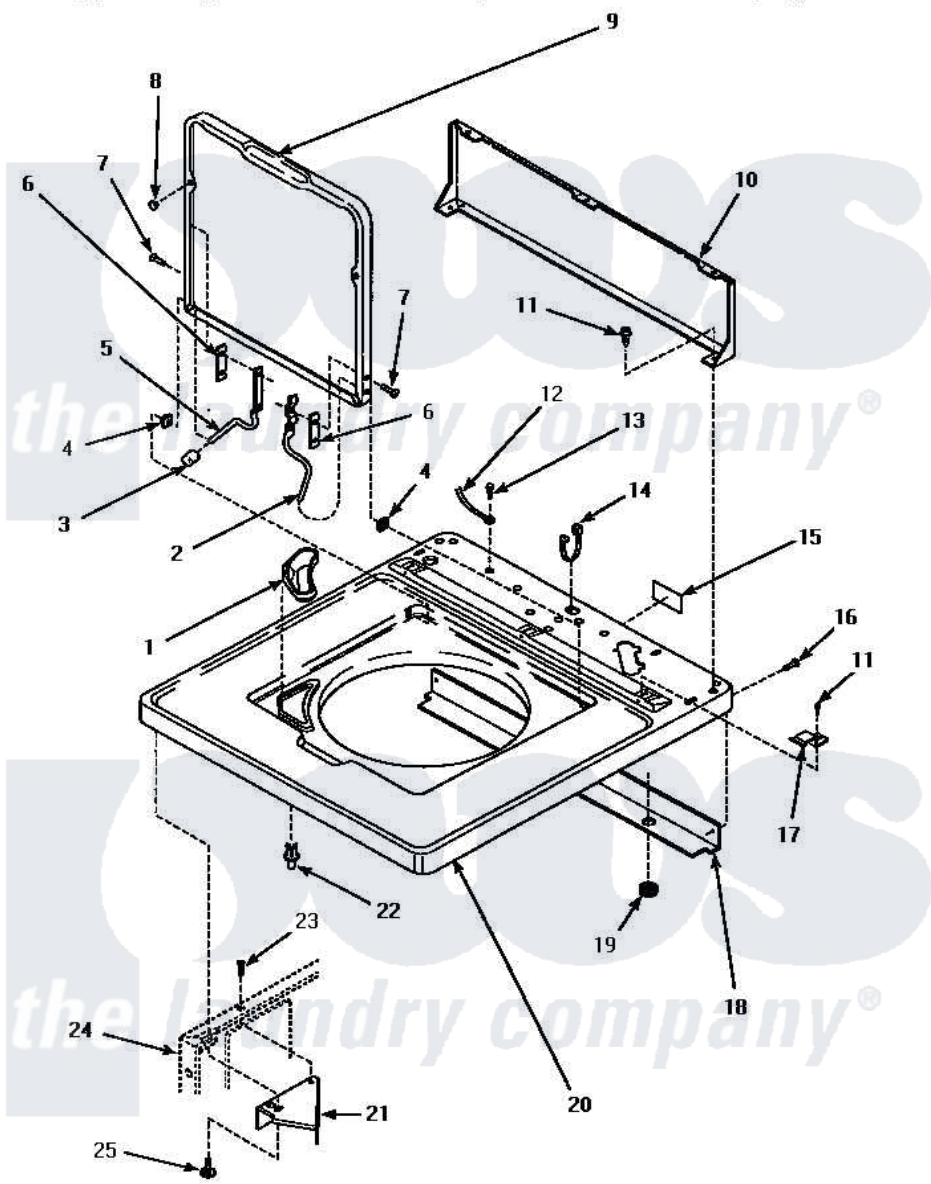


**Amana LWM251W (BOM: P1176301W W) 04 - CAB TOP/LOADING DR & CTRL HOOD REAR PAN**



**CABINET TOP, LOADING DOOR AND CONTROL HOOD REAR PANEL**

Amana [Residential Amana LWM251W \(BOM: P1176301W W\) Washer Parts](#) Parts Diagram 04 - CAB TOP/LOADING DR & CTRL HOOD REAR PAN

[Click on the part number to view part](#)

Item	Original Part Number	Replaced By	Status	Part Description
2	<a href="#">36437</a>			Hinge, Lid R
3	35112		Not Available	BUMPER,HINGE-STOP
4	33446	<a href="#">40008201</a>		Bushing, Hinge
5	<a href="#">36438</a>			Hinge, Lid Left
6	<a href="#">34338</a>			Gasket, Hinge
7	34337	<a href="#">W10119828</a>		Screw, Lid Hinge Mounting
8	21685	<a href="#">40038001</a>		Bumper
9	<a href="#">33541WP</a>			Lid, W/Instructions
"	<a href="#">33541LP</a>			Lid, W/Instructions
"	33541HP		Not Available	LID,W/INSTRUCTIONS
10	34903		Not Available	PANEL, BACK HOOD (USE 37782)
11	23962	<a href="#">W10116760</a>		Screw
12	Y00000000		Not Available	SEE NOTE GROUND WIRE, GREEN

13	<a href="#">52909</a>			Screw, 10B-16 X 1/2 HeX
14	21903	<a href="#">211881</a>		Grommet, Cord Part Not Used- Gas Models Only
15	24903		Not Available	STICKER,DISCONNECT POW
17	35887	<a href="#">40063901</a>		Clip, Hold Down
20	34902HP		Not Available	ASSY, TOP-DOMESTIC W/BLEACH
"	<a href="#">34902LP</a>			Assembly, Top-Amana
"	34902WP		Not Available	ASSY, TOP-AMANA
21	<a href="#">36034</a>			Bracket, Director-Module
22	<a href="#">56534</a>			Barrel, Support
23	36035		Not Available	SCREW, 8-18X3/8 PHIL FLT HD
24	Y00000000		Not Available	SEE NOTE CABINET
25	Y31644	<a href="#">27001200</a>		Screw

