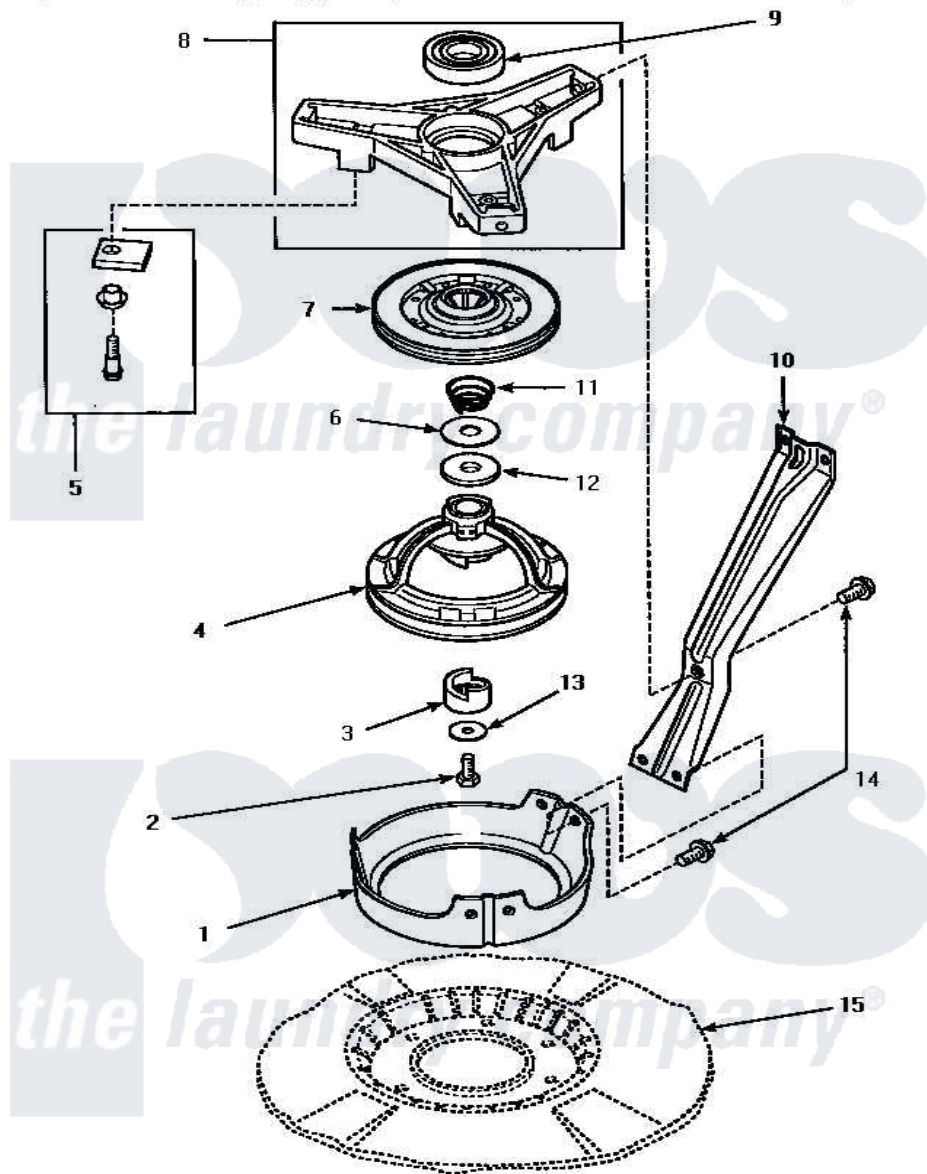


**Amana LWM353W (BOM: P1176401W W) 03 - BRG HSG/BRAKE/PULLEY & PIVOT DOME**



**BEARING HOUSING, BRAKE, PULLEY AND PIVOT DOME**

Amana Residential Amana LWM353W (BOM: P1176401W W) Washer Parts Parts Diagram 03 - BRG HSG/BRAKE/PULLEY & PIVOT DOME  
 Click on the part number to view part

Item	Original Part Number	Replaced By	Status	Part Description
1	<a href="#">34470</a>			Dome, Pivot
2	27220	<a href="#">40063401</a>		Screw, 1/4-20 x 5/8 Hex
3	<a href="#">27018</a>			Helix
4	<a href="#">34921</a>			Assembly, Pulley-Spin And Agitate
5	548P3	<a href="#">R9900543</a>		Pad-Brake
6	35535	<a href="#">40065701</a>		Washer, 2 Odx.63 ID
7	31961P	<a href="#">R9900474</a>		Brake Assembly
8	<a href="#">35746</a>			Assembly, Bearing Housing-L
9	28944R	<a href="#">40004001</a>		Bearing, Main
10	34471		Not Available	LEG,SUPPORT
11	<a href="#">33435</a>			Spring, Conical
12	27015	<a href="#">40063201</a>		Washer, Flat
13	26509	<a href="#">40041501</a>		Washer
14	35369	<a href="#">40128701</a>		Screw, 5/16-18 X .50

