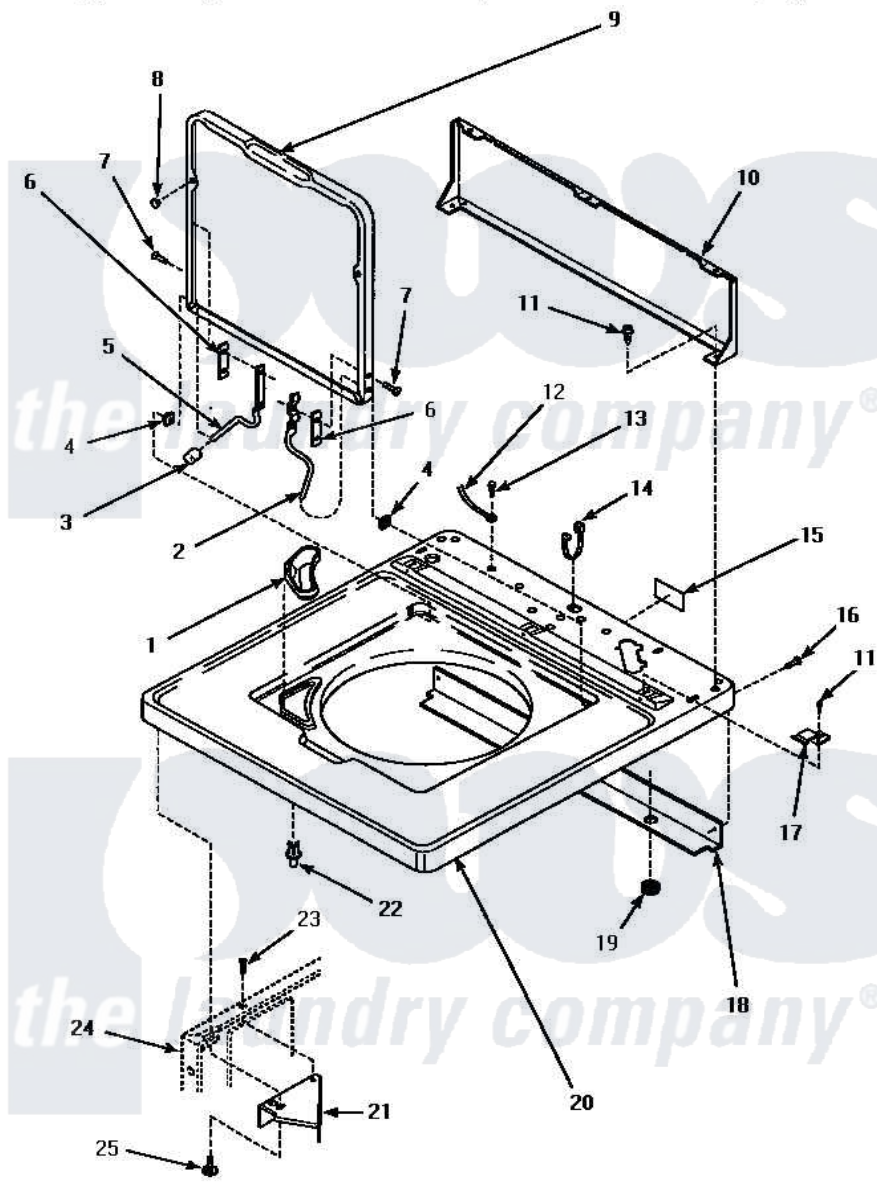


**Amana LWM433L (BOM: P1176502W L) 04 - CAB TOP/LOADING DR & CTRL HOOD REAR PAN**



**CABINET TOP, LOADING DOOR AND CONTROL HOOD REAR PANEL**

Amana Residential Amana LWM433L (BOM: P1176502W L) Washer Parts Parts Diagram 04 - CAB TOP/LOADING DR & CTRL HOOD REAR PAN

[Click on the part number to view part](#)

Item	Original Part Number	Replaced By	Status	Part Description
1	34776		Not Available	DISPENSER,BLEACH
2	<a href="#">36437</a>			Hinge, Lid R
3	35112		Not Available	BUMPER,HINGE-STOP
4	33446	<a href="#">40008201</a>		Bushing, Hinge
5	<a href="#">36438</a>			Hinge, Lid Left
6	<a href="#">34338</a>			Gasket, Hinge
7	34337	<a href="#">W10119828</a>		Screw, Lid Hinge Mounting
8	21685	<a href="#">40038001</a>		Bumper
9	<a href="#">33541WP</a>			Lid, W/Instructions
"	<a href="#">33541LP</a>			Lid, W/Instructions
"	33541HP		Not Available	LID,W/INSTRUCTIONS
10	34903		Not Available	PANEL, BACK HOOD (USE 37782)
11	23962	<a href="#">W10116760</a>		Screw
12	XXXXXXXXXX		Not Available	SEE NOTE GROUND WIRE,

12	10000000	Not Available	GREEN
13	<a href="#">52909</a>		Screw, 10B-16 X 1/2 HeX
14	21903	<a href="#">211881</a>	Grommet, Cord Part Not Used-Gas Models Only
15	24903	Not Available	STICKER,DISCONNECT POW
16	27196	<a href="#">27001200</a>	Screw
17	35887	<a href="#">40063901</a>	Clip, Hold Down
18	<a href="#">34228</a>		Shield, Top
19	80262	Not Available	GROMMET
20	34902WP	Not Available	ASSY, TOP-AMANA
"	<a href="#">34902LP</a>		Assembly, Top-Amana
"	34902HP	Not Available	ASSY, TOP-DOMESTIC W/BLEACH
21	<a href="#">36034</a>		Bracket, Director-Module
22	<a href="#">56534</a>		Barrel, Support
23	36035	Not Available	SCREW, 8-18X3/8 PHIL FLT HD
24	Y00000000	Not Available	SEE NOTE CABINET
25	Y31644	<a href="#">27001200</a>	Screw

