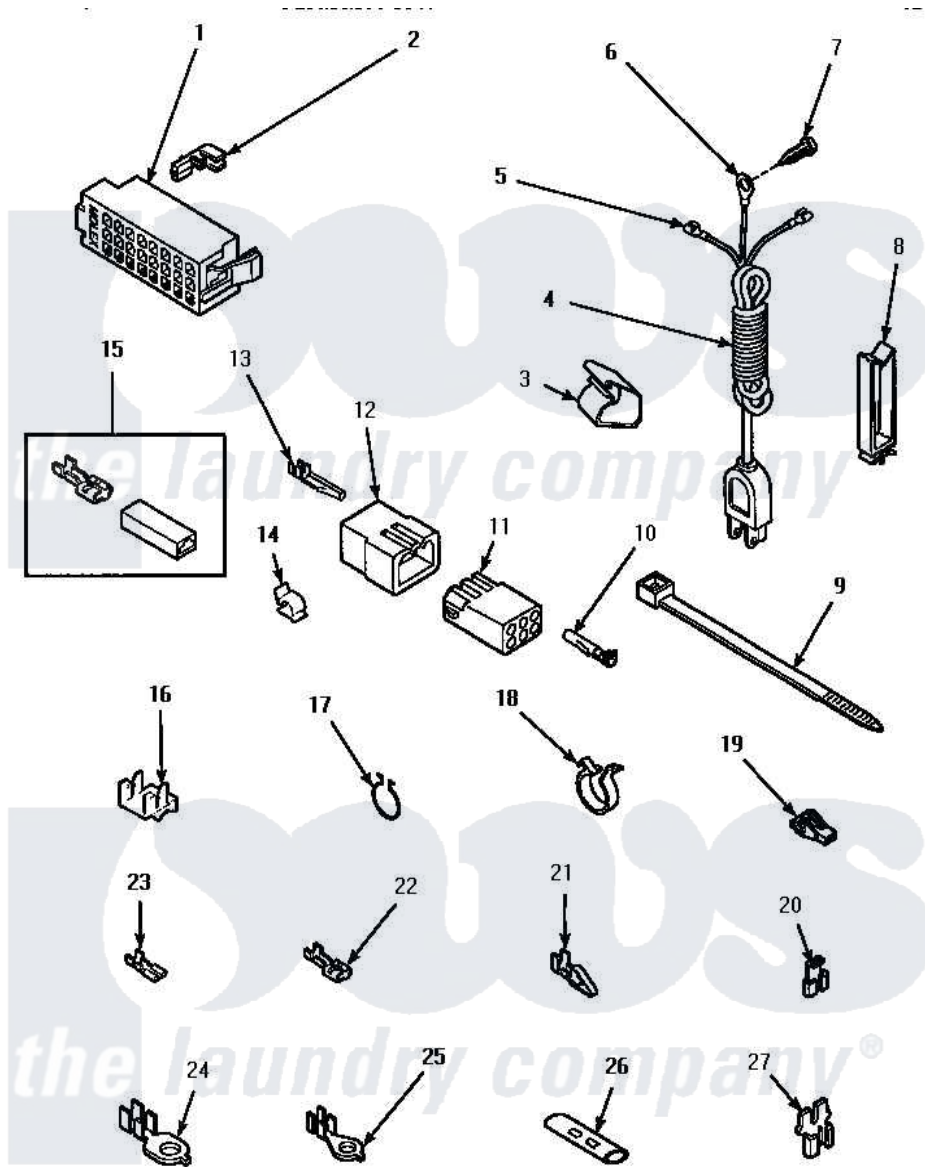


# Amana LWM433L (BOM: P1176502W L) 15 - POWER CORD & TERMINALS



## POWER CORD AND TERMINALS

Amana [Residential Amana LWM433L \(BOM: P1176502W L\) Washer Parts](#) Parts Diagram 15 - POWER CORD & TERMINALS

[Click on the part number to view part](#)

Item	Original Part Number	Replaced By	Status	Part Description
1	<a href="#">34123</a>			Housing, LH -24 Position
"	<a href="#">32746</a>			Housing, RH-24 Positi
2	<a href="#">Y00188</a>			Molex Terminal
3	35521		Not Available	CLIP ,HARNESS HOLDER
4	Y34458		Not Available	POWER CORD ALL
5	03673		Not Available	NUT
6	Y0000000		Not Available	SEE NOTE GROUND WIRE, GREEN
7	<a href="#">52909</a>			Screw, 10B-16 X 1/2 HeX
8	36274		Not Available	CLIP, HARNESS
9	36466	<a href="#">M0321209</a>		Tie-Electrical
10	Y00117	<a href="#">5011-XX</a>		093 Female Socket
11	<a href="#">26301</a>			Receptacle, Molex
"	<a href="#">26708</a>			Receptacle, 6 Circuit
"	<a href="#">26163</a>			Receptacle, 9 Circuit
12	<a href="#">23033</a>			Plug, 9 Circuit

"	26302		Not Available	PLUG, 1 CIRCUIT
"	<a href="#">23041</a>			Plug, 6 Circuit
13	<a href="#">Y00116</a>			Terminal, Pin-Male
14	<a href="#">21036</a>			Clip, Cable
15	00234	<a href="#">00359</a>		Terminal Ultra Pod 250 X032F
16	Y00161	<a href="#">B5733302</a>		Clip, Ground
17	<a href="#">51291</a>			Clip, Wire
18	61510	<a href="#">504034</a>		Clip, Wire
19	70210		Not Available	INSULATOR,BLUE
20	<a href="#">Y00120</a>			Terminal, Flag-1/4 Fema
21	00220		Not Available	TERMINAL,CRIMP-SINGLE
22	Y00119		Not Available	SPADE TERMINAL(18 GAUGE) (1/4 INCH-(1) 18 GAUGE WIRE)
23	<a href="#">00112</a>			Terminal, Spade-3/16 Fe
24	Y00113		Not Available	TERMINAL,RING-1/4 STUD
25	<a href="#">00110</a>			No.10 18 Gauge Wire
26	21091		Not Available	CONNECTOR TWO 1/4 INCH MALE
27	29673		Not Available	DOUBLE CONNECTOR

