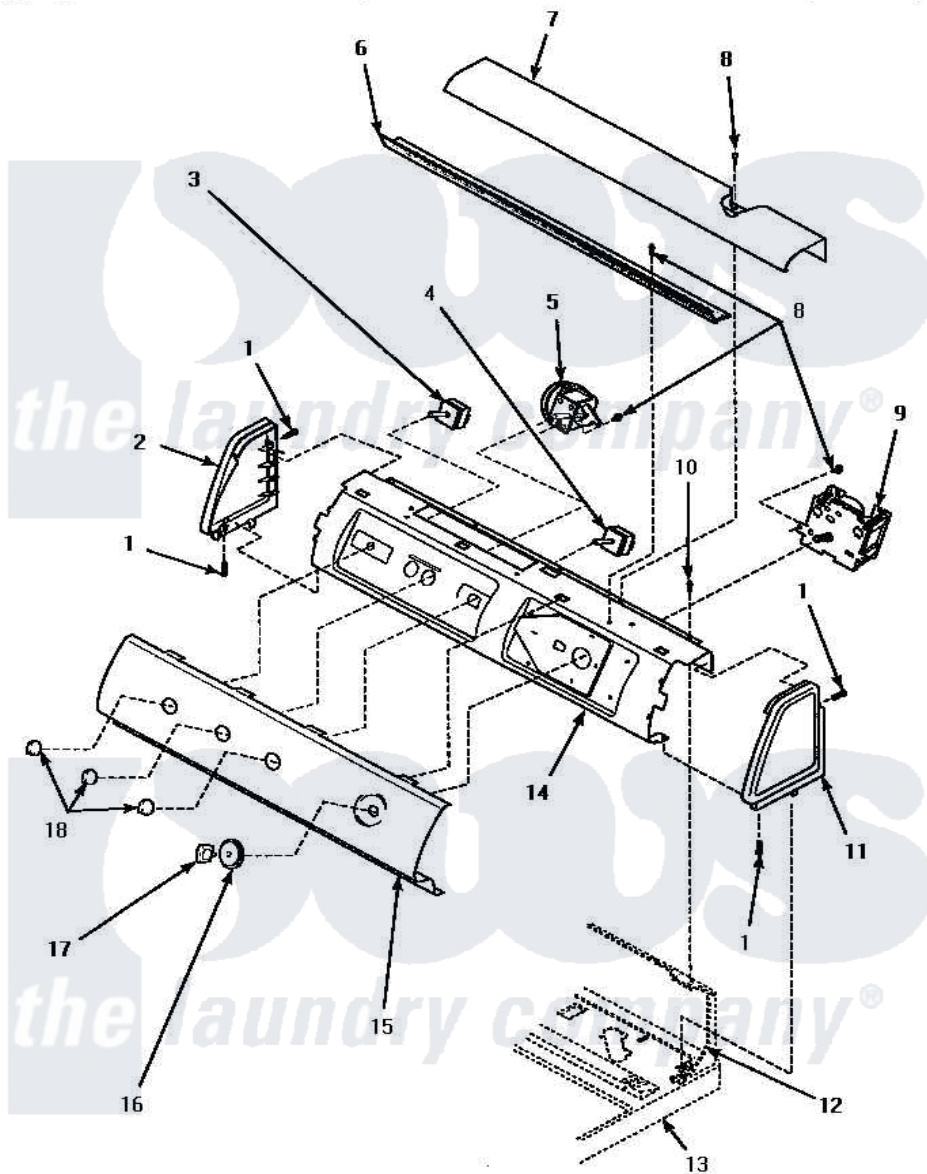


**Amana LWM433W (BOM: P1176501W W) 08 - GRAPHIC PANEL, CTRL
MTG PLATE & CTRLS**



GRAPHIC PANEL, CONTROL MOUNTING PLATE AND CONTROLS

Amana [Residential Amana LWM433W \(BOM: P1176501W W\) Washer Parts](#) Parts Diagram 08 - GRAPHIC PANEL, CTRL MTG PLATE & CTRLS
 Click on the part number to view part

Item	Original Part Number	Replaced By	Status	Part Description
"	NOTE:		Not Available	OUTER TUB COVER AND GASKET TOOL IS FOR REMOVAL OF 36025 OUTER TUB COVER FROM OUTER TUB AND INSTALLATION OF 32857 GASKET IN OUTER TUB COVER.
1	501086	90767		Screw, 8A X 3/8 HeX Washer Head Tapping
2	34816			Panel, End
3	35116		Not Available	SWITCH,TEMPERATURE-4 P
4	35118	40039501		Switch, Speed
5	36045	40055101		Switch, Pressure
6	Y34826		Not Available	DIFFUSER,LAMP-CLEAR
7	34823		Not Available	COVER, TOP
8	23962	W10116760		Screw
9	35229			Timer, 4 Cycle

10	34904	489355	Screw, 8 X 1/2
11	34815		Not Available
12	Y00000000		PANEL, END R.H. (BLK)
13	Y00000000		Not Available
14	34821		SEE NOTE CONTROL HOOD REAR PANEL
15	36079		Not Available
16	34848		SEE NOTE CONTROL TOP
17	34844		CONTROL MOUNTING PLATE
18	34847		Not Available
			PANEL, GRAPHIC-AMANA/WARD
			Assembly, Timer Skirt
			Not Available
			KNOB, TIMER
			Assembly, Knob-Rotary

