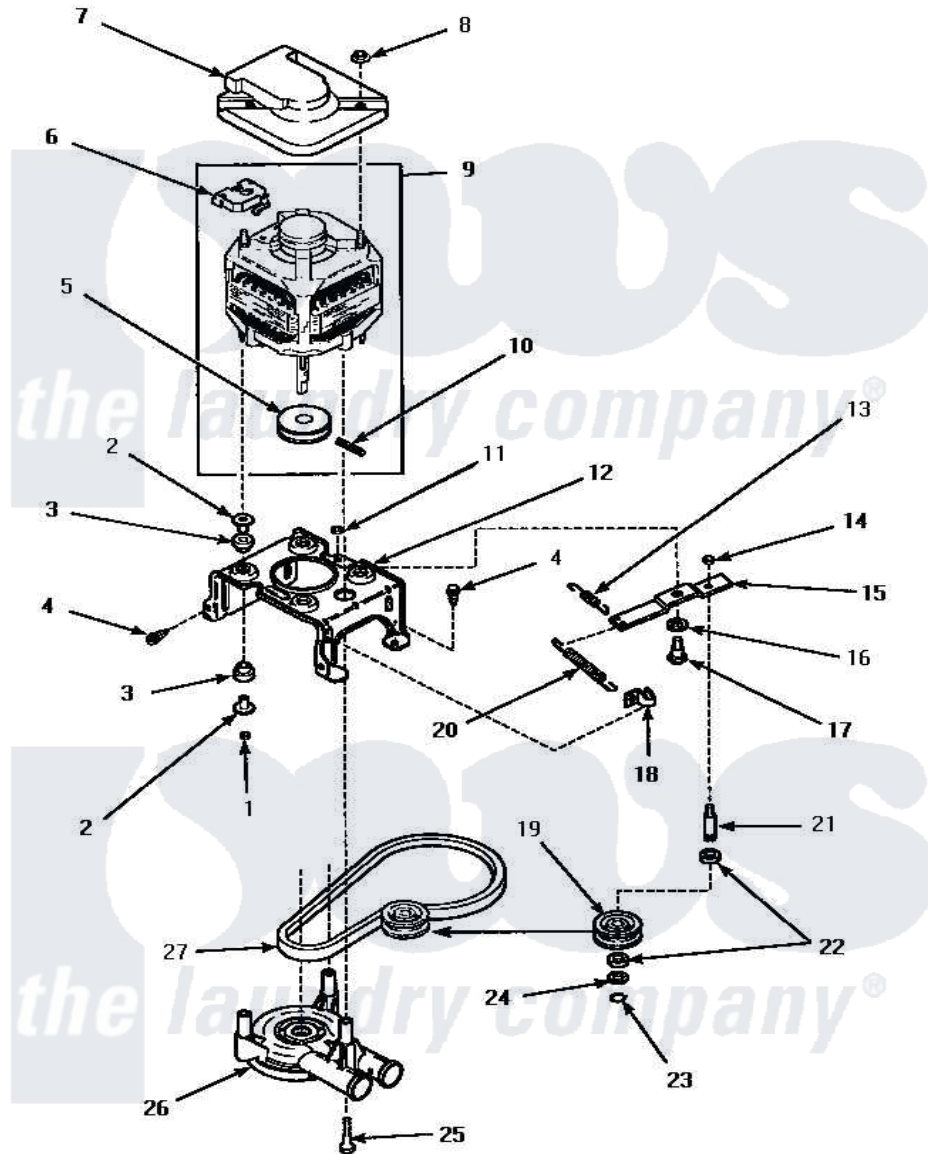


Amana LWM433W (BOM: P1176501W W) 12 - MOTOR, MTG BRKT, BELT, PUMP & IDLER ASSY



MOTOR, MOUNTING BRACKET, BELT, PUMP AND IDLER ASSEMBLY

Amana [Residential Amana LWM433W \(BOM: P1176501W W\) Washer Parts](#) Parts Diagram 12 - MOTOR, MTG BRKT, BELT, PUMP & IDLER ASSY
 Click on the part number to view part

| Item | Original Part Number | Replaced By | Status | Part Description |
|------|-----------------------|--------------------------|---------------|------------------------------|
| 1 | 35423 | 3400029 | | Nut, Adapter Plate |
| 2 | 34791 | | | Post, Mount-Motor |
| 3 | 34788 | | | Mount, Motor |
| 4 | Y31645 | 27001200 | | Screw |
| 5 | 27171 | | Not Available | PULLEY,MOTOR |
| 6 | 35632 | | Not Available | SWITCH, MOTOR |
| 7 | 34754 | 40112301 | | Shield, Motor |
| 8 | 35139 | | Not Available | PALNUT |
| 9 | 34571 | 27001215 | | Motor W/Pulley |
| " | 35145 | 38034P | | Kit Motor 120V/60 2SP Cap Dd |
| 10 | 23750 | | | Pin, Roll |
| 11 | 52566 | 27001225 | | Nut, Jam Mid Lock 1/4-20 |
| 12 | 34890 | | Not Available | BRACKET,MOTOR MOUNT |
| 13 | 30620 | | Not Available | SPRING,IDLER LEVER HEL |

| | | | |
|----|------------------------|--------------------------|-------------------------|
| 14 | 28803 | 2221070 | Clamp, Nylon |
| 15 | 31054 | 40041002 | Lever, Idler |
| 16 | 81392 | 40054701 | Washer |
| 17 | 27229 | 40038901 | Screw, 1/4-20 |
| 18 | 28849 | | Clip, Spring |
| 19 | 28800 | Not Available | WHEEL, IDLER |
| 20 | 33110 | 37366 | Spring, Idler |
| 21 | 28802 | | Shaft, Idler |
| 22 | Y29443 | | Washer, Felt |
| 23 | 23748 | | Ring, Retaining |
| 24 | 52549 | | Washer, 501 ID X3/4 Odx |
| 25 | Y34565 | 40063701 | Screw, 10-16 x 1.75 |
| 26 | 35742P | 27001233 | Pump |
| 27 | 28808 | | Belt, Agitate And Spin |
| NI | 258P3 | Not Available | KIT,CAPACITOR |

