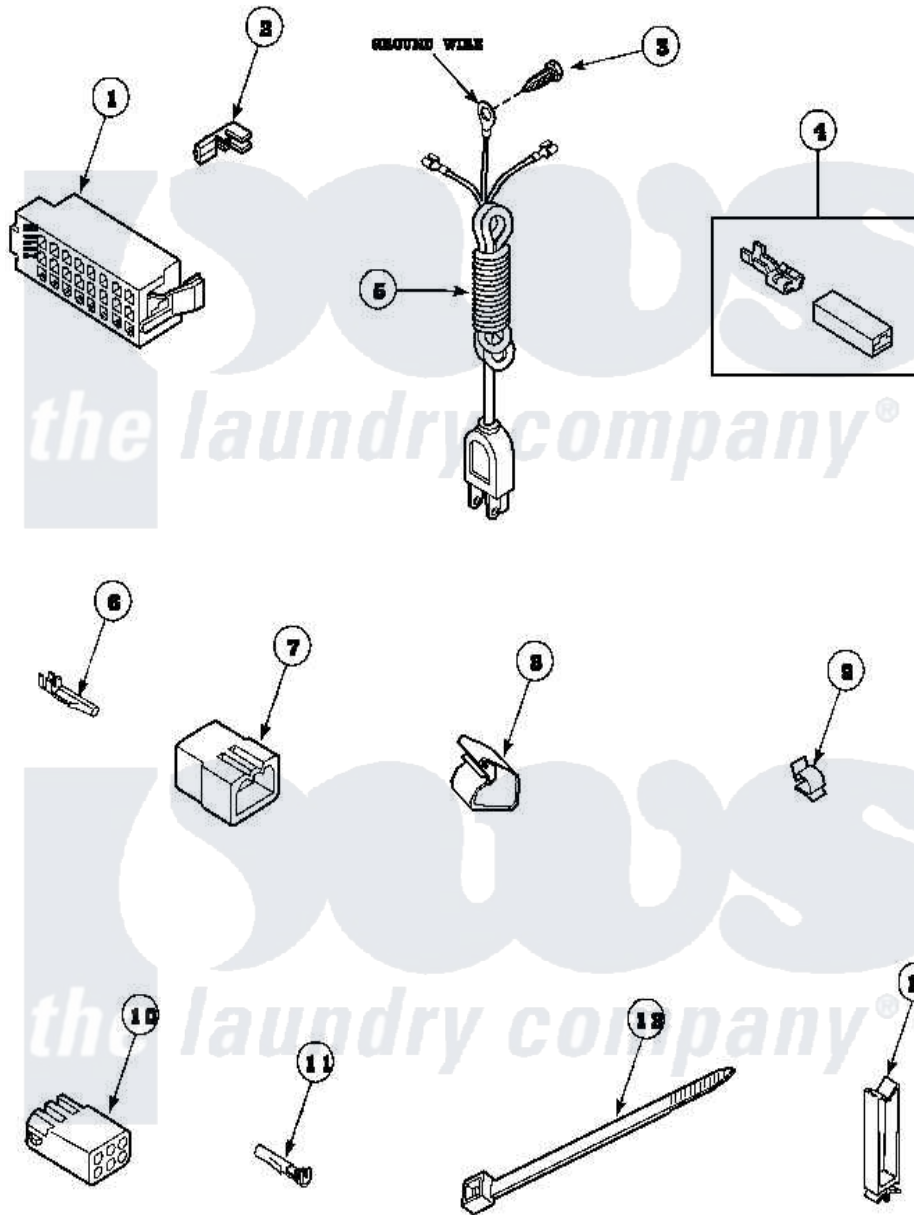


# Amana LWS01AW (BOM: PLWS01AW) 14 - POWER CORD AND TERMINALS



Amana Residential Amana LWS01AW (BOM: PLWS01AW) Washer Parts Parts Diagram 14 - POWER CORD AND TERMINALS

Click on the part number to view part

Item	Original Part Number	Replaced By	Status	Part Description
1	<a href="#">34123</a>			Housing, LH -24 Position
"	<a href="#">32746</a>			Housing, RH-24 Positi
2	<a href="#">Y00188</a>			Molex Terminal
3	<a href="#">52909</a>			Screw, 10B-16 X 1/2 HeX
4	00234	<a href="#">00359</a>		Terminal Ultra Pod 250 X032F
5	Y34458		Not Available	POWER CORD ALL
6	<a href="#">Y00116</a>			Terminal, Pin-Male
7	26302		Not Available	PLUG,1 CIRCUIT
"	<a href="#">23041</a>			Plug, 6 Circuit
"	<a href="#">23033</a>			Plug, 9 Circuit
8	35521		Not Available	CLIP,HARNESS HOLDER
9	<a href="#">21036</a>			Clip, Cable
10	<a href="#">26708</a>			Receptacle, 6 Circuit
"	<a href="#">26301</a>			Receptacle, Molex
"	<a href="#">26163</a>			Receptacle, 9 Circuit

11	Y00117	<a href="#">5011-XX</a>	093 Female Socket
12	36466	<a href="#">M0321209</a>	Tie-Electrical
13	36274	Not Available	CLIP, HARNESS

