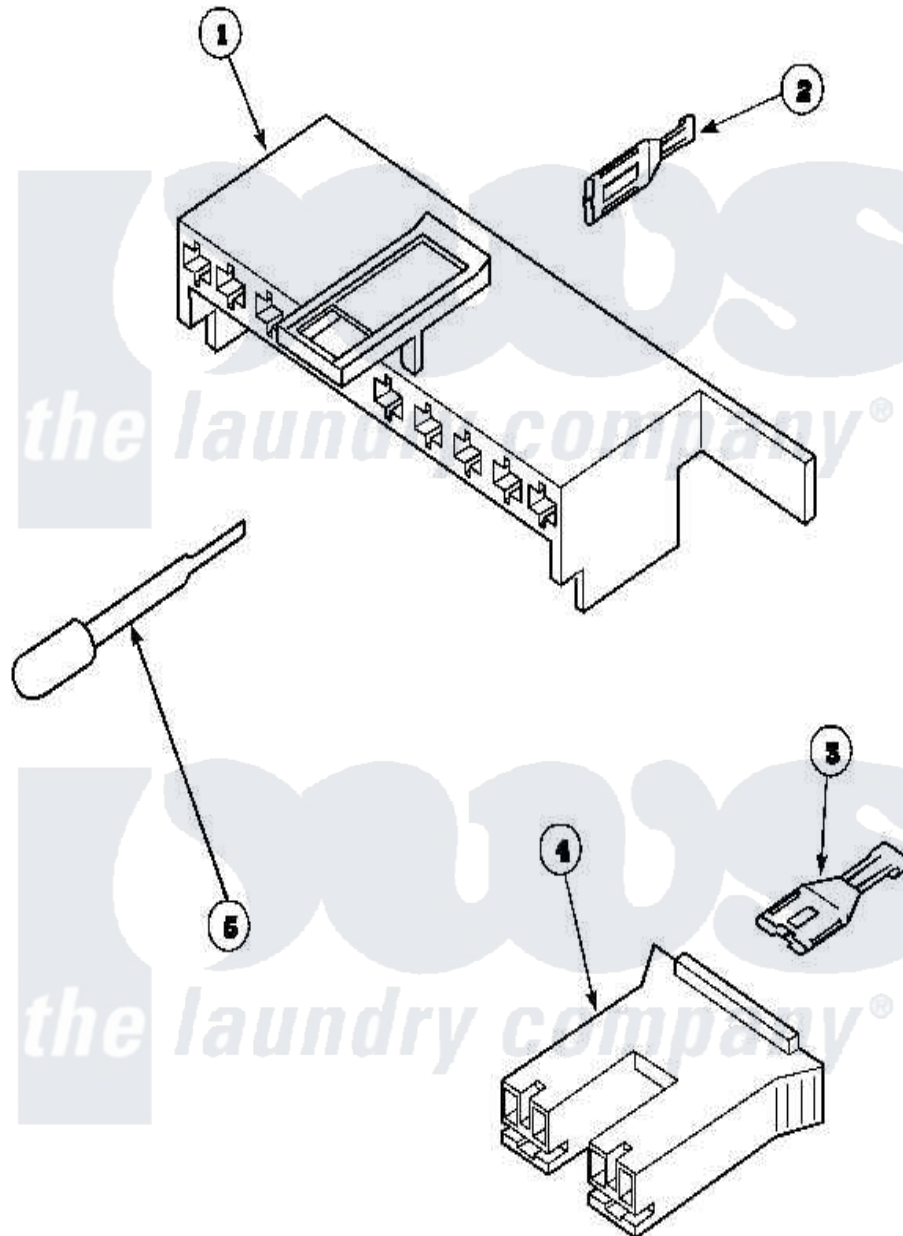


**Amana LWS16AW (BOM: PLWS16AW) 11 - MIX VLV/MTR CONN BLKS TERM & EXTRACTOR**



Amana Residential Amana LWS16AW (BOM: PLWS16AW) Washer Parts Parts Diagram 11 - MIX VLV/MTR CONN BLKS TERM & EXTRACTOR  
 Click on the part number to view part

| Item | Original Part Number   | Replaced By | Status        | Part Description  |
|------|------------------------|-------------|---------------|---|
| 1    | <a href="#">34677</a>  |             |               | 10 Circuit Plug   |
| 2    | <a href="#">Y00188</a> |             |               | Molex Terminal  |
| 3    | Y00121                 |             | Not Available | SPADE TERMINAL(12 GAUGE) (1/4 INCH-(2) 18 GAUGE WIRES O |
| 4    | <a href="#">34676</a>  |             |               | Plug  |
| "    | 34675                  |             | Not Available | PLUG  |
| 5    | <a href="#">283P4</a>  |             |               | Terminal Extractor Tool                                 |
| NI   | <a href="#">38772</a>  |             |               | Assembly, Wire Harness-BA                               |
| "    | <a href="#">38657</a>  |             |               | Assembly, Wiring Harness                                |