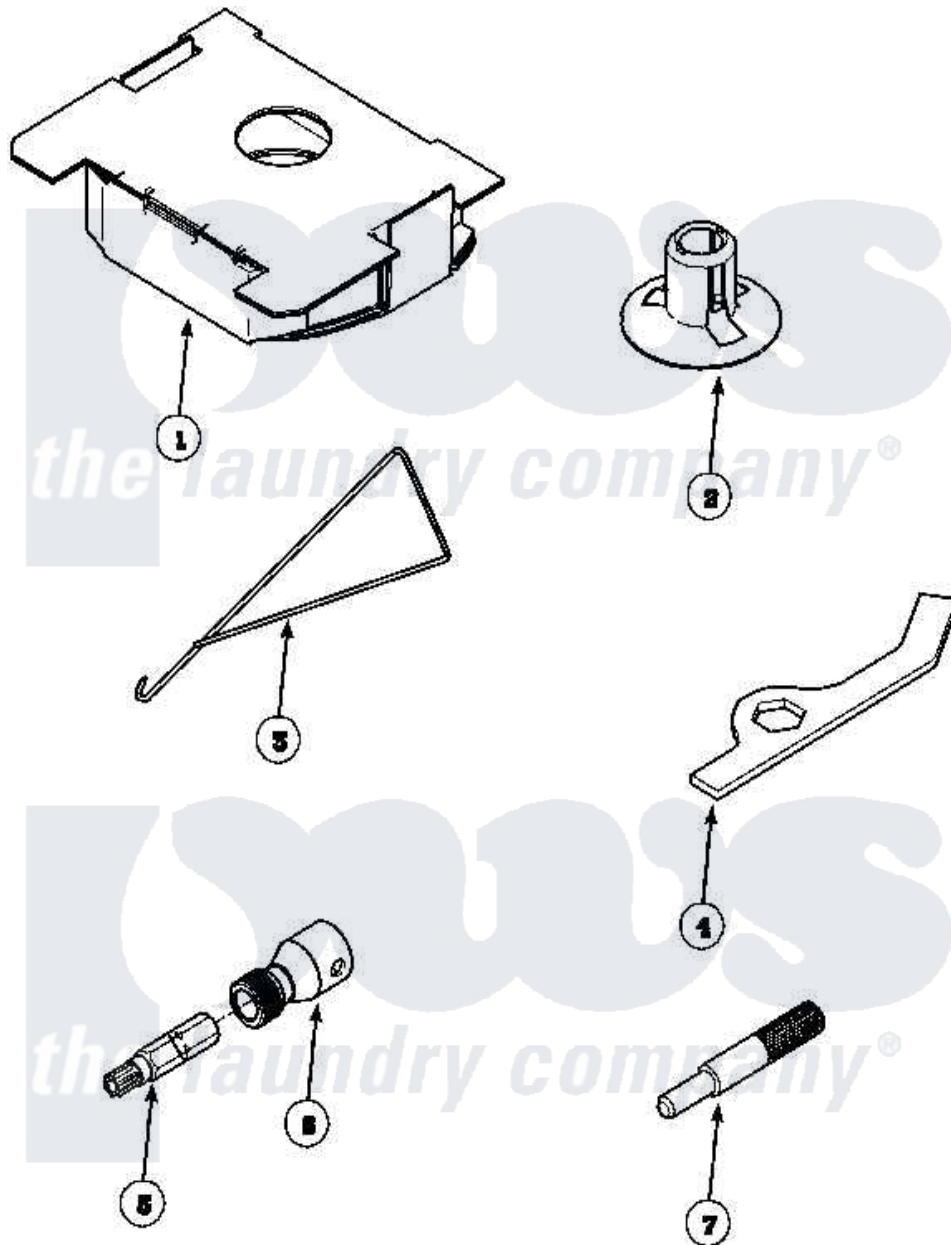


Amana LWS16AW (BOM: PLWS16AW) 15 - SPECIAL TOOLS



Amana Residential Amana LWS16AW (BOM: PLWS16AW) Washer Parts Parts Diagram 15 - SPECIAL TOOLS
 Click on the part number to view part

Item	Original Part Number	Replaced By	Status	Part Description
1	38039	27001185		Brace- Shp
2	38149	27001185		Brace- Shp
3	289P4	321P4		Hook, Spring
4	306P4			Hex Wrench
5	282P4			T25 Tamper Resistant Bit
6	24161			Torx Bit Holder
7	305P4		Not Available	TOOL, TRANSMISSION PI