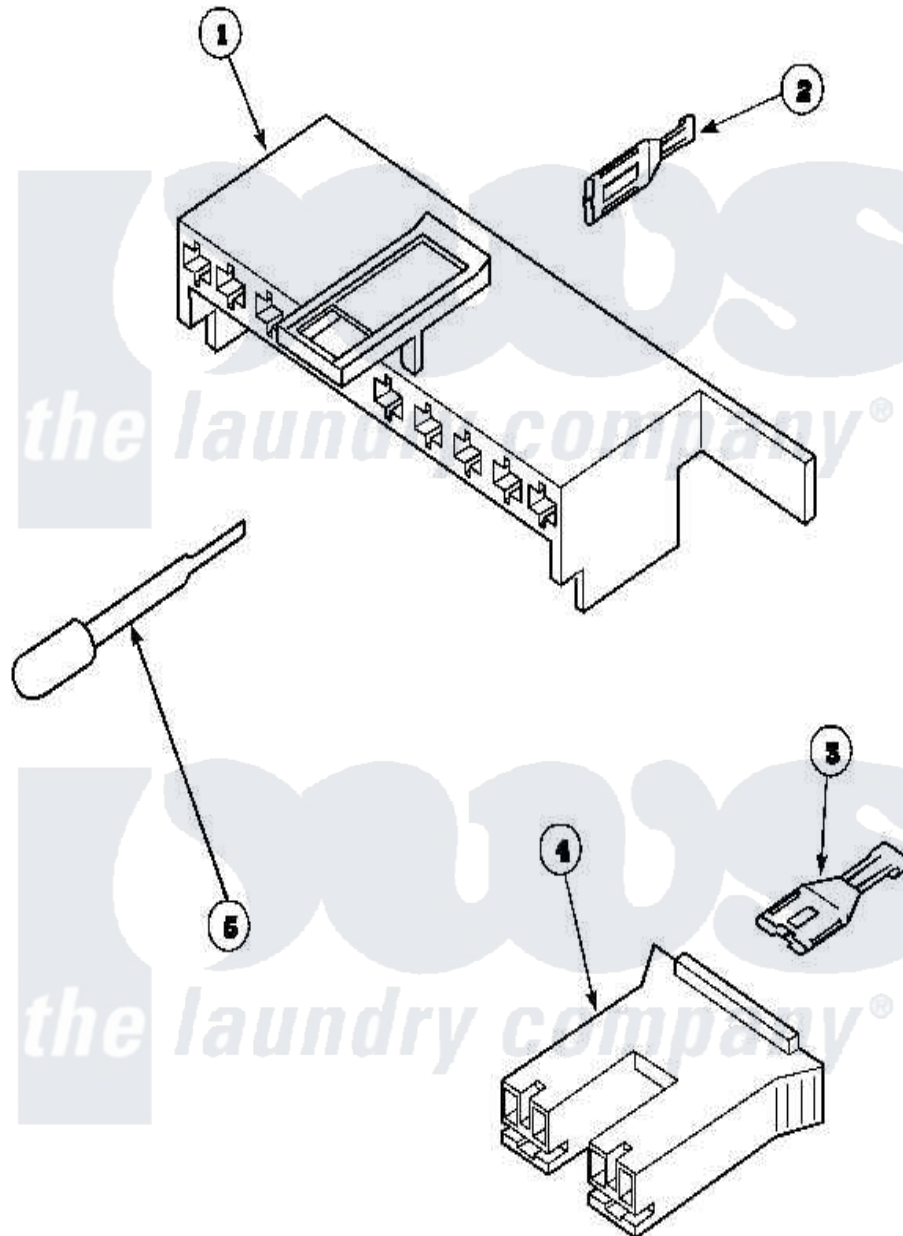


**Amana LWS17AW (BOM: PLWS17AW) 11 - MIX VLV/MTR CONN BLKS TERM & EXTRACTOR**



Amana Residential Amana LWS17AW (BOM: PLWS17AW) Washer Parts Parts Diagram 11 - MIX VLV/MTR CONN BLKS TERM & EXTRACTOR  
 Click on the part number to view part

Item	Original Part Number	Replaced By	Status	Part Description
1	<a href="#">34677</a>			10 Circuit Plug
2	<a href="#">Y00188</a>			Molex Terminal
3	Y00121		Not Available	SPADE TERMINAL(12 GAUGE) (1/4 INCH-(2) 18 GAUGE WIRES O
4	<a href="#">34676</a>			Plug
"	34675		Not Available	PLUG
5	<a href="#">283P4</a>			Terminal Extractor Tool
NI	<a href="#">38772</a>			Assembly, Wire Harness-BA
"	<a href="#">38657</a>			Assembly, Wiring Harness