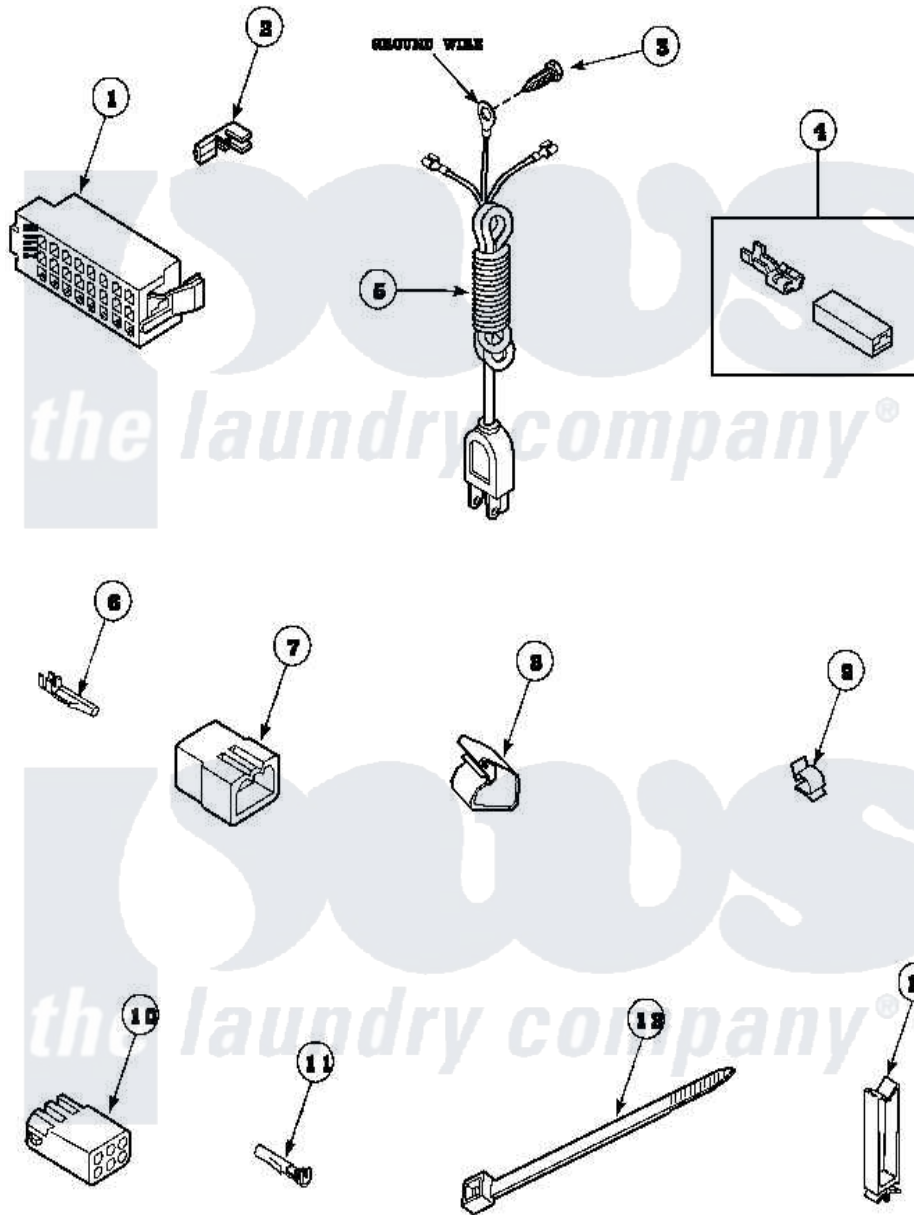


Amana LWS17AW (BOM: PLWS17AW) 14 - POWER CORD AND TERMINALS



Amana Residential Amana LWS17AW (BOM: PLWS17AW) Washer Parts Parts Diagram 14 - POWER CORD AND TERMINALS

Click on the part number to view part

Item	Original Part Number	Replaced By	Status	Part Description
1	34123			Housing, LH -24 Position
"	32746			Housing, RH-24 Positi
2	Y00188			Molex Terminal
3	52909			Screw, 10B-16 X 1/2 HeX
4	00234	00359		Terminal Ultra Pod 250 X032F
5	Y34458		Not Available	POWER CORD ALL
6	Y00116			Terminal, Pin-Male
7	26302		Not Available	PLUG, 1 CIRCUIT
"	23041			Plug, 6 Circuit
"	23033			Plug, 9 Circuit
8	35521		Not Available	CLIP, HARNESS HOLDER
9	21036			Clip, Cable
10	26708			Receptacle, 6 Circuit
"	26301			Receptacle, Molex
"	26163			Receptacle, 9 Circuit

11	Y00117	5011-XX	093 Female Socket
12	36466	M0321209	Tie-Electrical
13	36274	Not Available	CLIP, HARNESS

