

Amana LWX20AW (BOM: PLWX20AW) 07 - MIXING VALVE AND HOSE

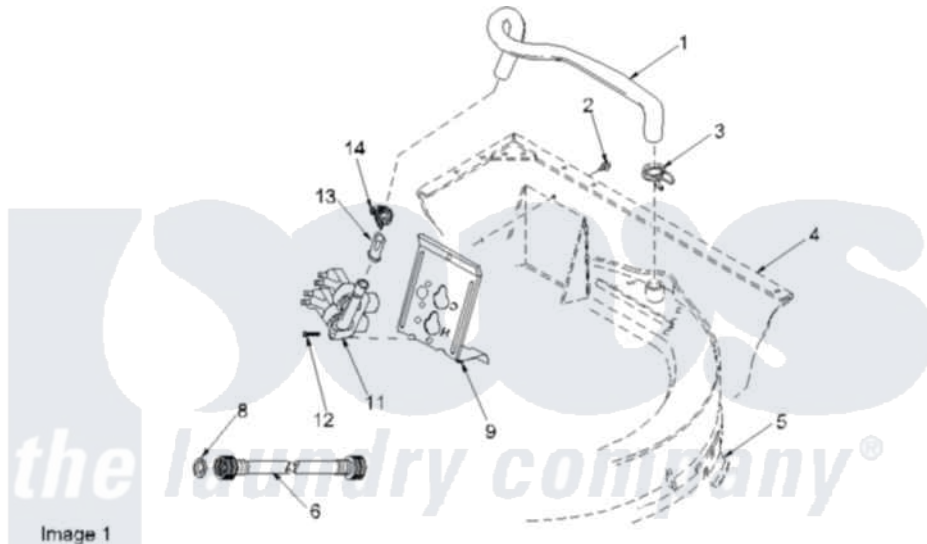


Image 1

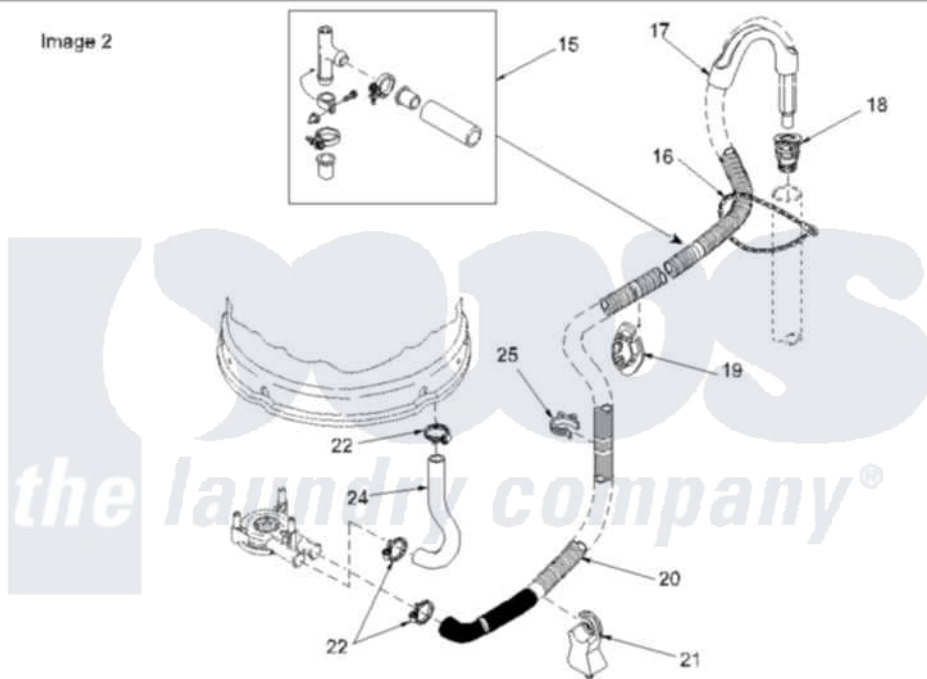


Image 2

Amana Residential Amana LWX20AW (BOM: PLWX20AW) Washer Parts Parts Diagram 07 - MIXING VALVE AND HOSE

[Click on the part number to view part](#)

Item	Original Part Number	Replaced By	Status	Part Description
1	38155			Hose, Mix Valve To TU
2	503661	27001200		Screw
3	29210			Hose Clamp
4	34475WP	38612WP		Kit-Servic
5	37502	39169		Assembly Tub Cover Gasket And Channel
6	33171	38349P		Hose, Inlet 5'
8	20290	Y013783		Washer, Inlet Hose
9	39407			Bracket, Valve
11	39070			Valve, Mixing-240 Volt
12	39397		Not Available	SCREW
13	34500	22001900		Preventer, Back Flow
14	36801	596669		Clamp, Manifold
15	562P3	76660		Break-Sphn
16	33489	8539404		Tie-Wire
17	33615	22003814		Retainer, Drain Hose

18	36878	40008101	Adapter, Standpipe
19	32219		Relief, Strain
20	38156	40053901	Hose, Drain
21	38732	40044901	Stand, Hose
22	36802	285655	Clamp, Hose
24	38351	40094201	Hose, Tub To Pump
25	36014		Clip, Retainer-Hose

