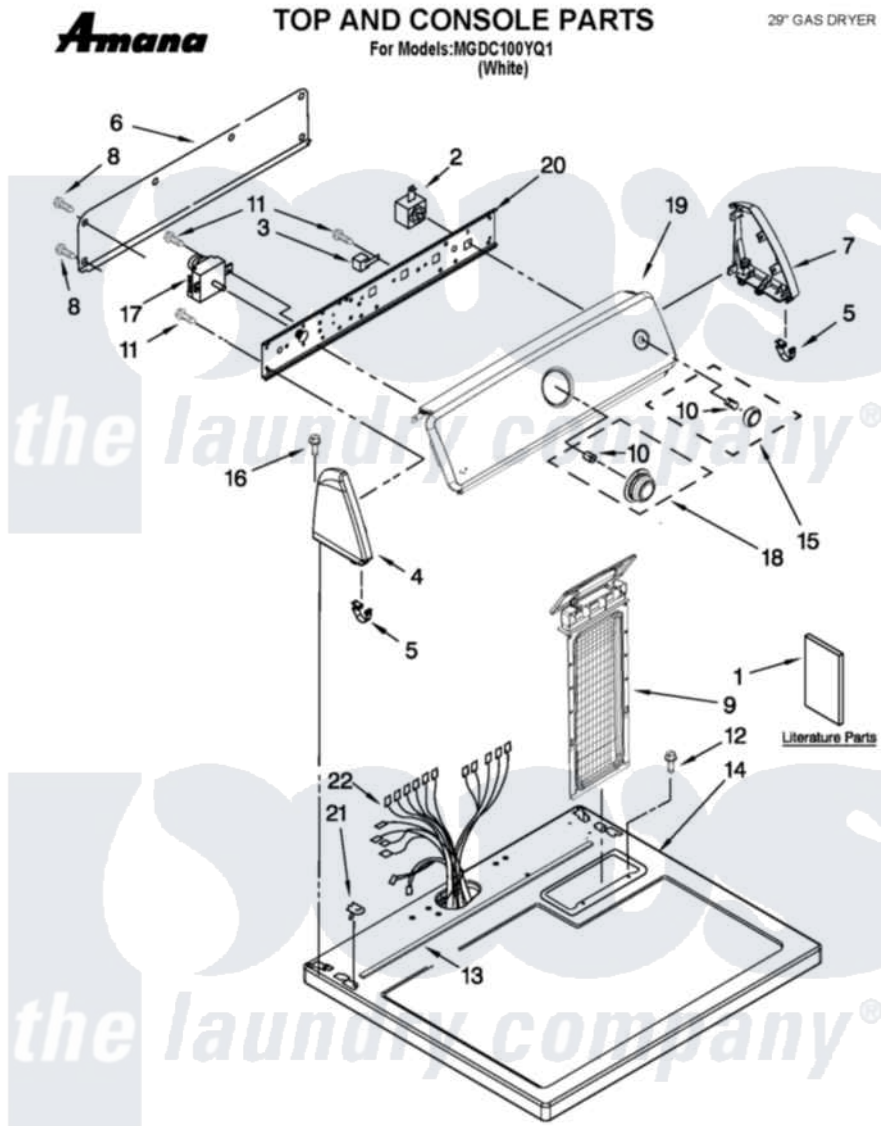


Amana MGDC100YQ1 01 - TOP AND CONSOLE PARTS



12-11 Litho in U.S.A. (BMN)(bay) 1 Part No. W10466895 Rev.A

Amana Residential Amana MGDC100YQ1 Dryer Parts Parts Diagram 01 - TOP AND CONSOLE PARTS
 Click on the part number to view part

| Item | Original Part Number | Replaced By | Status | Part Description |
|------|---------------------------|------------------------|---------------|---|
| 1 | W10115228 | | Not Available | INSTRUCTIONS, INSTALLATION |
| " | W10096990 | | Not Available | USE & CARE GUIDE |
| " | W10185990 | | Not Available | WIRING DIAGRAM |
| 2 | 3404233 | | | Switch, Push-To-Start |
| 3 | 694419 | | | Mini-Buzzer |
| 4 | W10193824 | | | Endcap Console Bracket |
| 5 | 8312709 | | | Clip-Console |
| 6 | W10103406 | | | Panel, Rear Console |
| 7 | W10193821 | | | Cap, End |
| 8 | 693995 | | | Screw, Hex Head |
| 9 | 8565972 | | | Screen, Lint |
| 10 | 688805 | | | Clip, Spring Knob |
| 11 | 8533971 | 90767 | | Screw, 8A X 3/8 HeX Washer Head Tapping |
| 12 | 688983 | 487240 | | Screw, For Mtg. Service Capacitor |

| | | | |
|----|---------------------------|-----------------------|---|
| 13 | W10316616 | | Foam Seal Top |
| 14 | W10225059 | | Top And Seal Assembly |
| 15 | W10317455 | | Knob, Push-To-Start |
| 16 | 3348629 | 90767 | Screw, 8A X 3/8 HeX Washer Head Tapping |
| 17 | W10185987 | | Timer |
| 18 | W10317454 | | Timer Knob And Dial Assembly |
| 19 | W10295288 | | Console Panel And Bracket Assembly |
| 20 | W10236073 | | Bracket, Cabinet |
| 21 | W10298789 | | Nut, Push-In |
| 22 | W10366760 | | Harness, Wiring |

Howes
the laundry company[®]

Howes
the laundry company[®]

Howes
the laundry company[®]