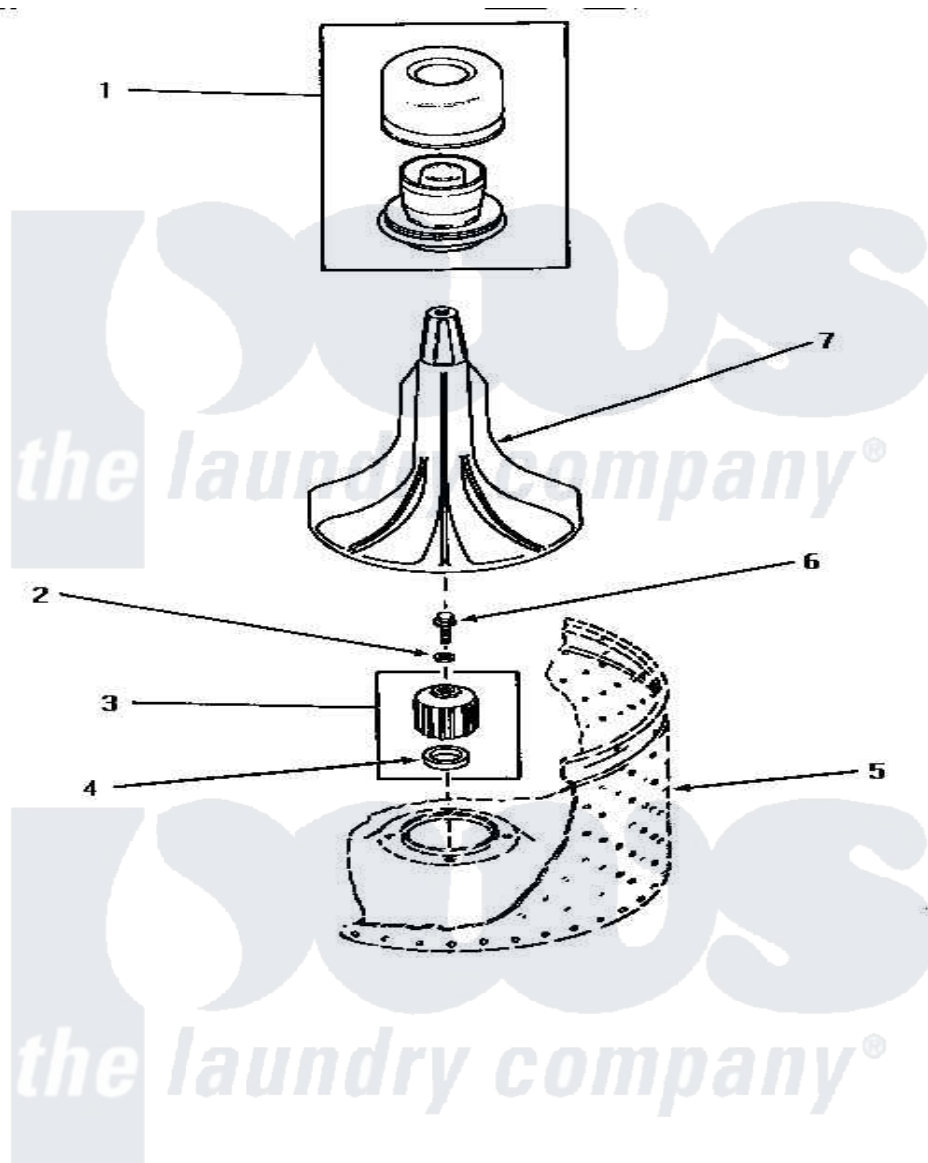


# Amana NA2110 03 - AGITATOR, DRIVE BELL & SEAL KIT



## AGITATOR, DRIVE BELL AND SEAL KIT

Amana [Residential Amana NA2110 Washer Parts](#) Parts Diagram 03 - AGITATOR, DRIVE BELL & SEAL KIT  
 Click on the part number to view part

| Item | Original Part Number  | Replaced By               | Status        | Part Description           |
|------|-----------------------|---------------------------|---------------|----------------------------|
| 1    | 30857                 | <a href="#">33510</a>     |               | Assembly, Dispenser-Fabric |
| 2    | 30853                 |                           | Not Available | SEAL                       |
| 3    | 30071P                | <a href="#">R9900189</a>  |               | Kit, Drive Bell And Seal   |
| 4    | Y00000000             |                           | Not Available | SEE NOTE SEAL SEAT         |
| 5    | Y00000000             |                           | Not Available | SEE NOTE WASHTUB           |
| 6    | <a href="#">30852</a> |                           |               | Screw, No.8-1/4 X 20 X 3/  |
| 7    | 30855                 | <a href="#">40000501W</a> |               | Agitator, Flex Vane        |
| NI   | 442P3                 | <a href="#">R9900189</a>  |               | Kit, Drive Bell And Seal   |