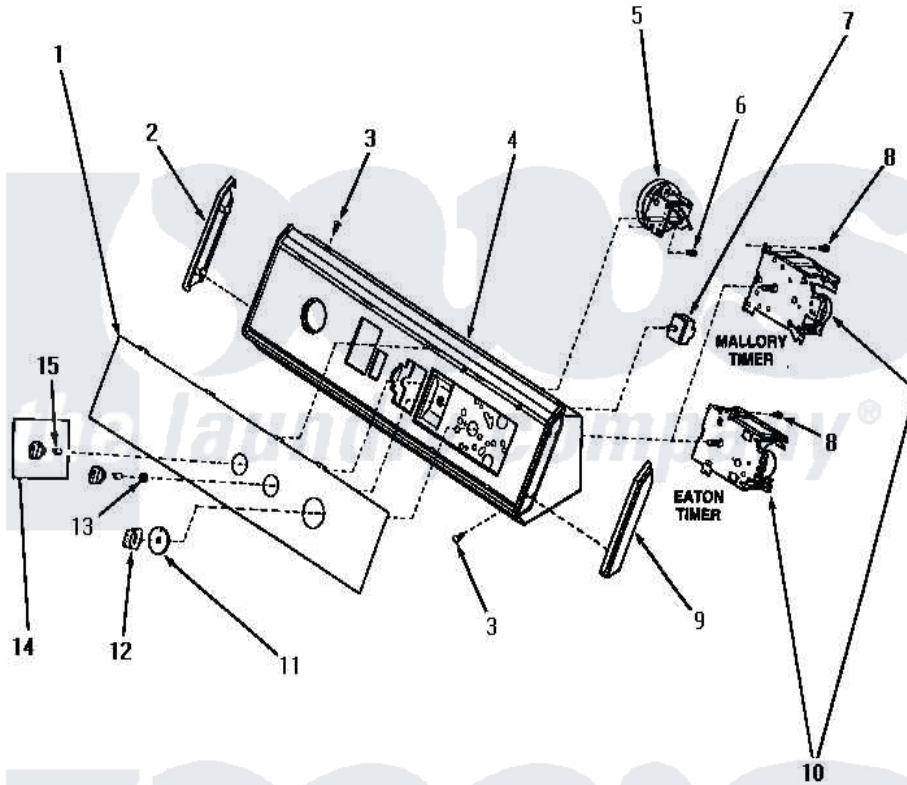


# Amana NA3310 07 - GRAPHIC PANEL, CONTROL HOOD & CONTROLS



## GRAPHIC PANEL, CONTROL HOOD AND CONTROLS

Amana [Residential Amana NA3310 Washer Parts](#) Parts Diagram 07 - GRAPHIC PANEL, CONTROL HOOD & CONTROLS

[Click on the part number to view part](#)

Item	Original Part Number	Replaced By	Status	Part Description
"	NOTE:		Not Available	SIPHON BREAK KIT MUST BE INSTALLED IN DRAIN HOSE IF THE DRAIN RECEPTACLE IS LOWER THAN THE CABINET TOP OF THE WASHER.
1	31203		Not Available	PANEL, GRAPHIC
2	31249		Not Available	CAP, END-L.H.-CHROME
3	31752		Not Available	SCREW, No.8ABX3/4 POZIDRI
4	31735		Not Available	ASSY, CONTROL HOOD
5	<a href="#">31266</a>			Switch, Pressure-Rotary
6	<a href="#">31260</a>			Screw, No.8 X 3/8 Ind H
7	21300		Not Available	SWITCH, TEMPERATURE
8	23962	<a href="#">W10116760</a>		Screw
9	<a href="#">31248</a>			Cap, End-RH-Chrome
10	31239	<a href="#">31239P</a>		Timer 3 Cycle Package
11	<a href="#">Y31503</a>			Assembly, Timer Skirt

12

[31281](#)

Assembly, Knob-Timer-Black

13

57584

Not Available

NUT

14

31287

Not Available

ASSY,KNOB-ROTARY-BLK/B

15

10519

Not Available

RETAINER

