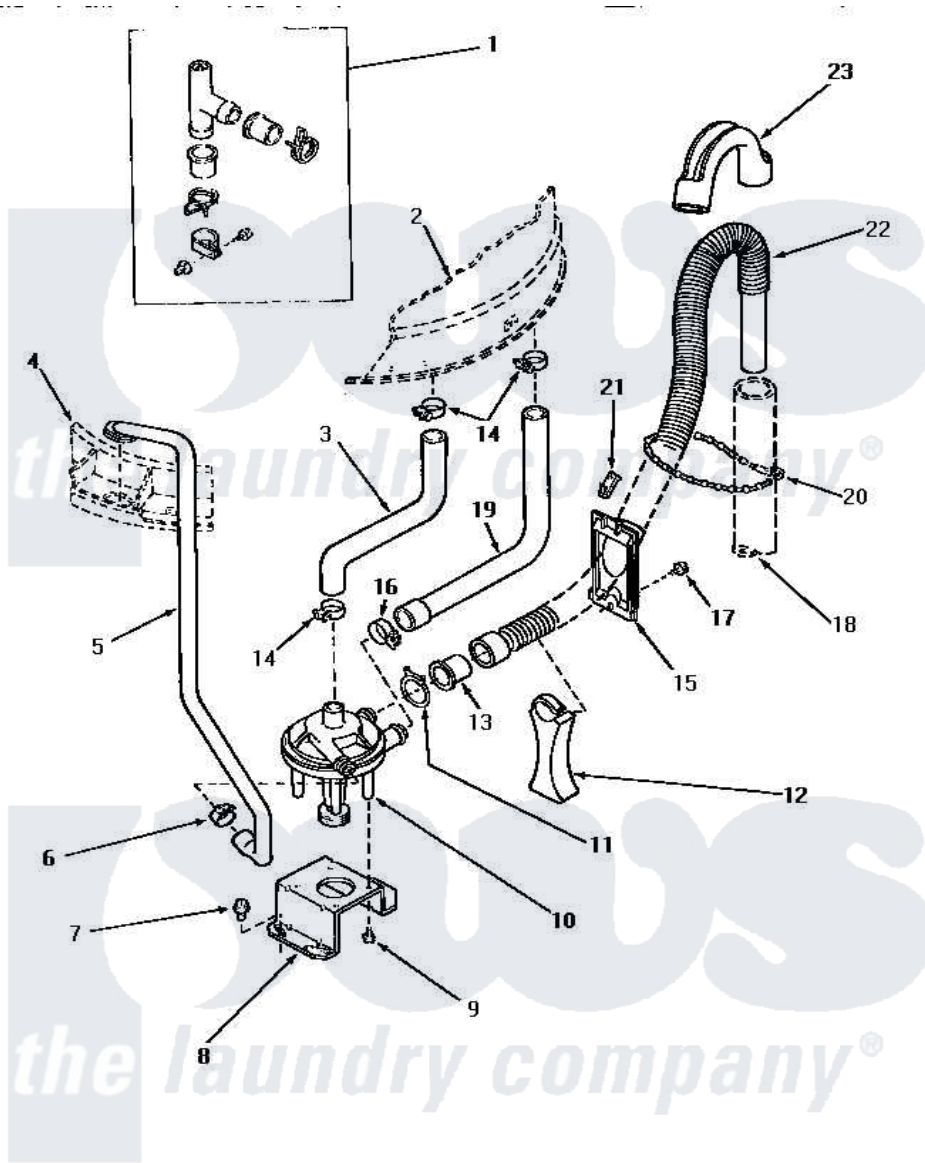


Amana NA3310 16 - PUMP ASSY/BRKT/HOSES & SIPHON BREAK KIT



PUMP ASSEMBLY, BRACKET, HOSES AND SIPHON BREAK KIT

Amana [Residential Amana NA3310 Washer Parts](#) Parts Diagram 16 - PUMP ASSY/BRKT/HOSES & SIPHON BREAK KIT

[Click on the part number to view part](#)

| Item | Original Part Number | Replaced By | Status | Part Description |
|------|-----------------------|--------------------------|---------------|--------------------------|
| 1 | 386P3 | 76660 | | Break-Sphn |
| 2 | Y00000000 | | Not Available | SEE NOTE OUTER TUB |
| 3 | 27159 | | Not Available | HOSE,TUB TO PUMP |
| 4 | Y00000000 | | Not Available | SEE NOTE OUTER TUB COVER |
| 5 | 27232 | | Not Available | HOSE |
| 6 | 27644 | 285655 | | Clamp, Hose |
| 7 | Y31645 | 27001200 | | Screw |
| 8 | 27105 | | | Bracket, Pump Mounting |
| 9 | 31098 | | | Screw, 10-10 5/8 Unslot |
| 10 | 31968 | | | Assembly, Pump NA |
| " | 31969 | | | Assembly, Pump NA |
| 11 | 29172 | | Not Available | CLAMP,HOSE |
| 12 | 29284 | | | Stand, Hose |
| 13 | 29143 | | Not Available | HOSE,ADAPTER |
| 14 | 32616 | | Not Available | (CLAMP HOSE) |

| | | | | |
|----|-----------|--------------------------|---------------|------------------------|
| 15 | 29131 | | Not Available | RETAINER,DIRECTIONAL |
| 16 | 27153 | 285655 | | Clamp, Hose |
| 17 | 30676 | 27001200 | | Screw |
| 18 | Y00000000 | | Not Available | SEE NOTE STANDPIPE |
| 19 | 27160 | | Not Available | HOSE,TUB TO PUMP-DRAIN |
| 20 | 33489 | 8539404 | | Tie-Wire |
| 21 | 29936 | | Not Available | HOSE RETAINER CLIP |
| 22 | 29142 | 39952 | | Hose- Drai |
| 23 | 29144 | 22003814 | | Retainer, Drain Hose |
| NI | 406P3 | 451P3 | | Kit Drain Extension |

