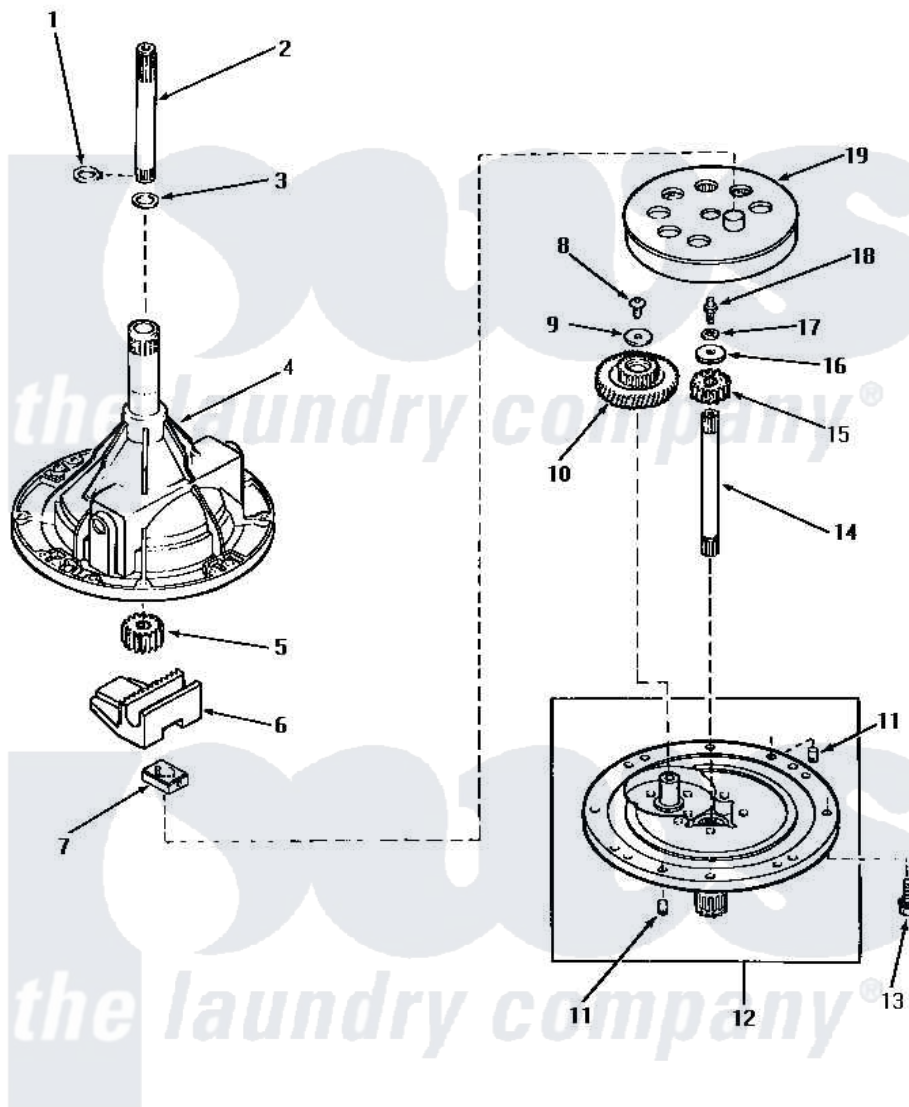


Amana NA3511 02 - 33227 TRANSMISSION ASSY COMPONENTS



COMPONENTS FOR 33227 TRANSMISSION ASSEMBLY

Amana [Residential Amana NA3511 Washer Parts](#) Parts Diagram 02 - 33227 TRANSMISSION ASSY COMPONENTS
 Click on the part number to view part

| Item | Original Part Number | Replaced By | Status | Part Description |
|------|------------------------|--------------------------|---------------|------------------------------|
| 1 | 27197 | | | Ring, Retaining |
| 2 | 29134 | Y36570 | | Shaft, Output |
| 3 | 20212 | 35092 | | Washer, 3628id X 1.00 X .056 |
| 4 | 33223 | | Not Available | ASSY, TRANSMISSION CASE |
| 5 | 27003 | | | Pinion, Agitator |
| 6 | Y31526 | | | Rack |
| 7 | 26493 | | | Slide |
| 8 | 29273 | | | Screw, 1/4-20 X 3/8 |
| 9 | 29260 | | Not Available | WASHER |
| 10 | 29161 | | | Gear, Reduction |
| 11 | 27172 | | | Pin, Dowel |
| 12 | 33214 | | Not Available | TRANSMISSION COVER ASSEMBLY |
| 13 | 32814 | | Not Available | SCREW, 1/4-20X7/8 SERRA |
| 14 | 27081 | 27081P | | Shaft Input Package |
| 15 | Y29160 | | | Pinion, Drive |
| 16 | 26509 | 40041501 | | Washer |

| | | | |
|----|------------------------|---------------|-------------------------|
| 17 | 21456 | | Lockwasher, 1/4 Intshkp |
| 18 | 27030 | Not Available | SCREW, 1/4-20 SPECIAL |
| 19 | 26577 | | Assembly, Gear And Stud |
| NI | 27243P | | Oil, CW Transmission F- |
| " | 28434P | Not Available | LOCTITE |

